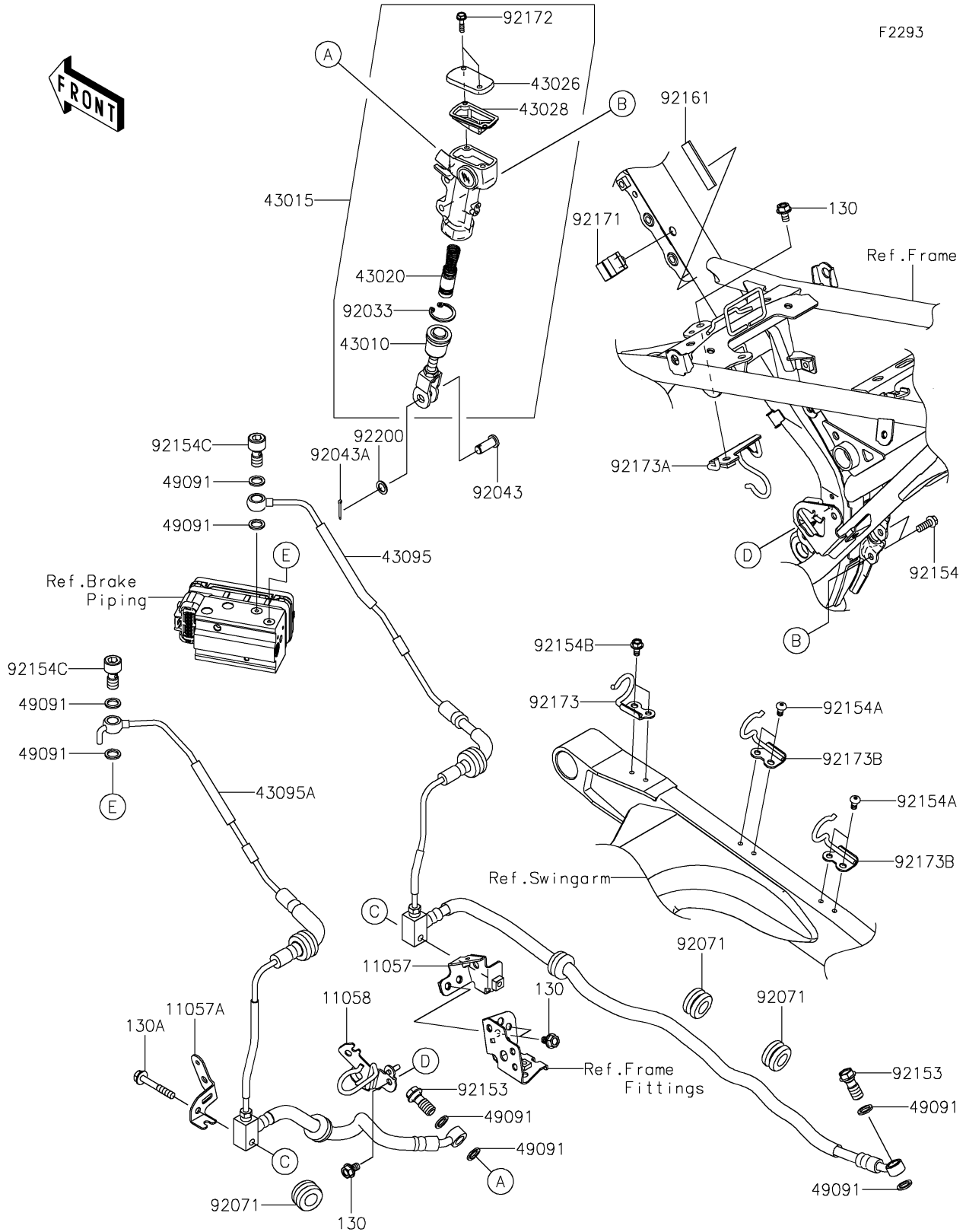


2026 KLX230 S ABS

PARTS DIAGRAM

Rear Master Cylinder



2026 KLX230 S ABS

PARTS LIST

Rear Master Cylinder

| ITEM NAME | PART NUMBER | QUANTITY |
|--|-------------|----------|
| BRACKET (Ref # 11057) | 11057-2362 | 1 |
| BRACKET (Ref # 11057A) | 11057-2485 | 1 |
| BRACKET (Ref # 11058) | 11058-1516 | 1 |
| ROD-ASSY-BRAKE (Ref # 43010) | 43010-0025 | 1 |
| CYLINDER-ASSY-MASTER,RR (Ref # 43015) | 43015-0724 | 1 |
| PISTON-COMP-BRAKE (Ref # 43020) | 43020-1094 | 1 |
| CAP-BRAKE (Ref # 43026) | 43026-0023 | 1 |
| DIAPHRAGM (Ref # 43028) | 43028-1092 | 1 |
| HOSE-BRAKE,ABS UNIT-RR CALIPER (Ref # 43095) | 43095-1988 | 1 |
| HOSE-BRAKE,ABS UNIT-RR M/C (Ref # 43095A) | 43095-1989 | 1 |
| WASHER-SEAL,10.1X14.5X1.5 (Ref # 49091) | 49091-0001 | 8 |
| RING-SNAP,20.9X24.6X1.2 (Ref # 92033) | 92033-0079 | 1 |
| PIN (Ref # 92043) | 92043-0004 | 1 |
| PIN,COTTER,2.0X15 (Ref # 92043A) | 92043-0766 | 1 |
| GROMMET,12.2X26X16 (Ref # 92071) | 92071-0841 | 3 |
| BOLT,OIL,L=23 (Ref # 92153) | 92153-0029 | 2 |
| BOLT,FLANGED,6X16 (Ref # 92154) | 92154-0460 | 2 |
| BOLT,SOCKET,5X10 (Ref # 92154A) | 92154-2801 | 4 |
| BOLT,FLANGED,5X10 (Ref # 92154B) | 92154-7278 | 2 |
| BOLT,BANJO,10X20.8 (Ref # 92154C) | 92154-7281 | 2 |
| DAMPER,13X48X2 (Ref # 92161) | 92161-2548 | 1 |
| CLAMP (Ref # 92171) | 92171-0818 | 1 |
| SCREW (Ref # 92172) | 92172-1064 | 2 |
| CLAMP,BRAKE HOSE,SWING ARM (Ref # 92173) | 92173-1976 | 1 |
| CLAMP (Ref # 92173A) | 92173-2711 | 1 |
| CLAMP (Ref # 92173B) | 92173-2712 | 2 |
| WASHER,8.5X13X1 (Ref # 92200) | 92200-1980 | 1 |
| BOLT-FLANGED,6X10 (Ref # 130) | 130BA0610 | 4 |
| BOLT-FLANGED,6X40 (Ref # 130A) | 130BA0640 | 1 |