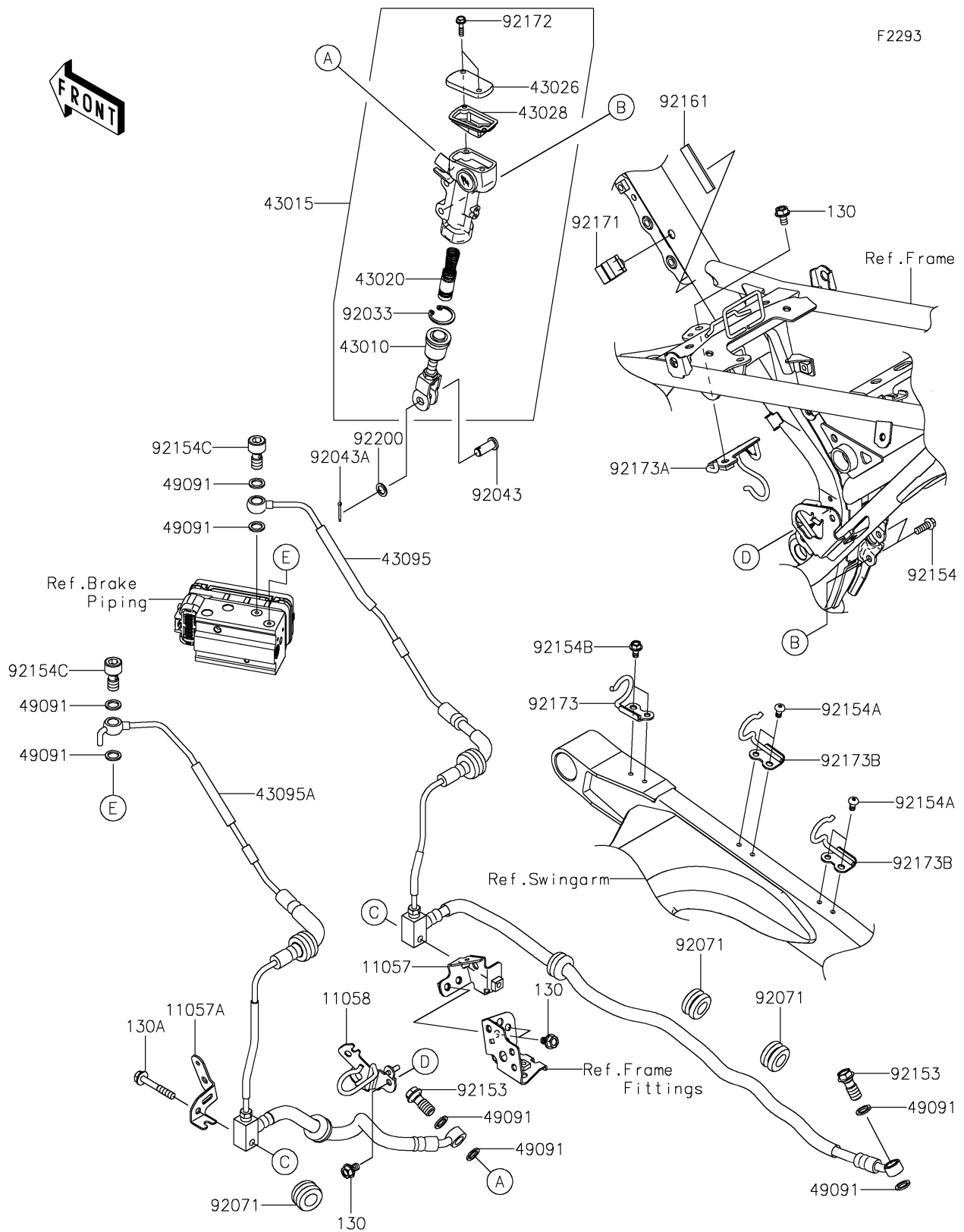


2025 KLX[®] 230 S ABS

PARTS DIAGRAM

Rear Master Cylinder



2025 KLX[®] 230 S ABS

PARTS LIST

Rear Master Cylinder

ITEM NAME	PART NUMBER	QUANTITY
BRACKET (Ref # 11057)	11057-2362	1
BRACKET (Ref # 11057A)	11057-2485	1
BRACKET (Ref # 11058)	11058-1516	1
ROD-ASSY-BRAKE (Ref # 43010)	43010-0025	1
CYLINDER-ASSY-MASTER,RR (Ref # 43015)	43015-0724	1
PISTON-COMP-BRAKE (Ref # 43020)	43020-1094	1
CAP-BRAKE (Ref # 43026)	43026-0023	1
DIAPHRAGM (Ref # 43028)	43028-1092	1
HOSE-BRAKE,ABS UNIT-RR CALIPER (Ref # 43095)	43095-1988	1
HOSE-BRAKE,ABS UNIT-RR M/C (Ref # 43095A)	43095-1989	1
WASHER-SEAL,10.1X14.5X1.5 (Ref # 49091)	49091-0001	8
RING-SNAP,20.9X24.6X1.2 (Ref # 92033)	92033-0079	1
PIN (Ref # 92043)	92043-0004	1
PIN,COTTER,2.0X15 (Ref # 92043A)	92043-0766	1
GROMMET,12.2X26X16 (Ref # 92071)	92071-0841	3
BOLT,OIL,L=23 (Ref # 92153)	92153-0029	2
BOLT,FLANGED,6X16 (Ref # 92154)	92154-0460	2
BOLT,SOCKET,5X10 (Ref # 92154A)	92154-2801	4
BOLT,FLANGED,5X10 (Ref # 92154B)	92154-7278	2
BOLT,BANJO,10X20.8 (Ref # 92154C)	92154-7281	2
DAMPER,13X48X2 (Ref # 92161)	92161-2548	1
CLAMP (Ref # 92171)	92171-0818	1
SCREW (Ref # 92172)	92172-1064	2
CLAMP,BRAKE HOSE,SWING ARM (Ref # 92173)	92173-1976	1
CLAMP (Ref # 92173A)	92173-2711	1
CLAMP (Ref # 92173B)	92173-2712	2
WASHER,8.5X13X1 (Ref # 92200)	92200-1980	1
BOLT-FLANGED,6X10 (Ref # 130)	130BA0610	4
BOLT-FLANGED,6X40 (Ref # 130A)	130BA0640	1