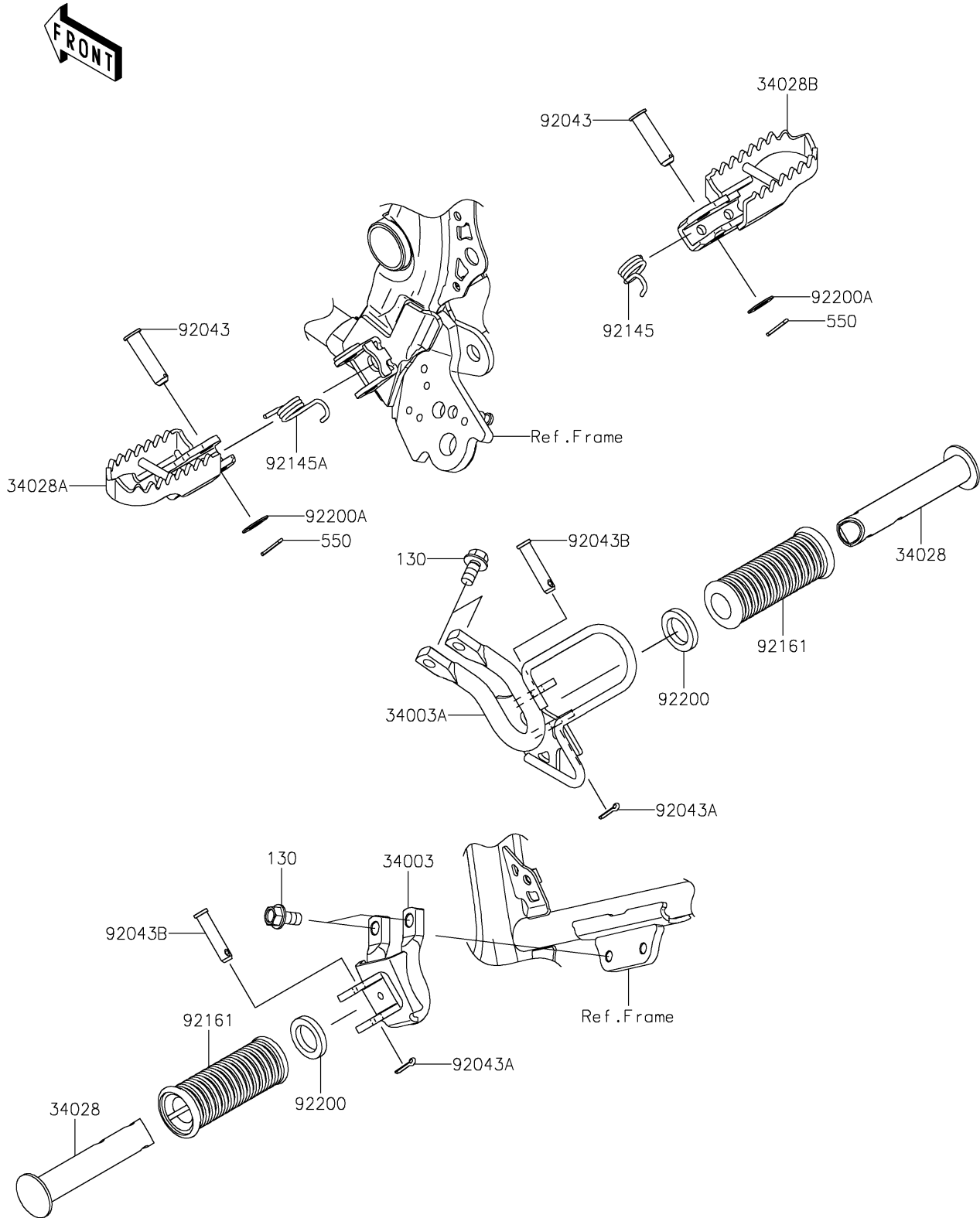


# 2025 KLX230 S ABS

## PARTS DIAGRAM

### Footrests

F2160



# 2025 KLX230 S ABS

## PARTS LIST

### Footrests

ITEM NAME	PART NUMBER	QUANTITY
HOLDER-STEP,LH,P.SILVER (Ref # 34003)	34003-0183-458	1
HOLDER-STEP,RH,P.SILVER (Ref # 34003A)	34003-0206-458	1
STEP,RR (Ref # 34028)	34028-0007	2
STEP,LH (Ref # 34028A)	34028-0369	1
STEP,RH (Ref # 34028B)	34028-0371	1
PIN,10X35 (Ref # 92043)	92043-0744	2
PIN,COTTER,2.5X18 (Ref # 92043A)	92043-0771	2
PIN (Ref # 92043B)	92043-1714	2
SPRING,STEP,RH (Ref # 92145)	92145-2300	1
SPRING,STEP,LH (Ref # 92145A)	92145-2301	1
DAMPER,REAR STEP (Ref # 92161)	92161-0866	2
WASHER,20X30X4.5 (Ref # 92200)	92200-0869	2
WASHER,10.5X20X1.0 (Ref # 92200A)	92200-0870	2
BOLT-FLANGED,8X16 (Ref # 130)	130CA0816	4
PIN-COTTER,2.0X18 (Ref # 550)	550AA2018	2