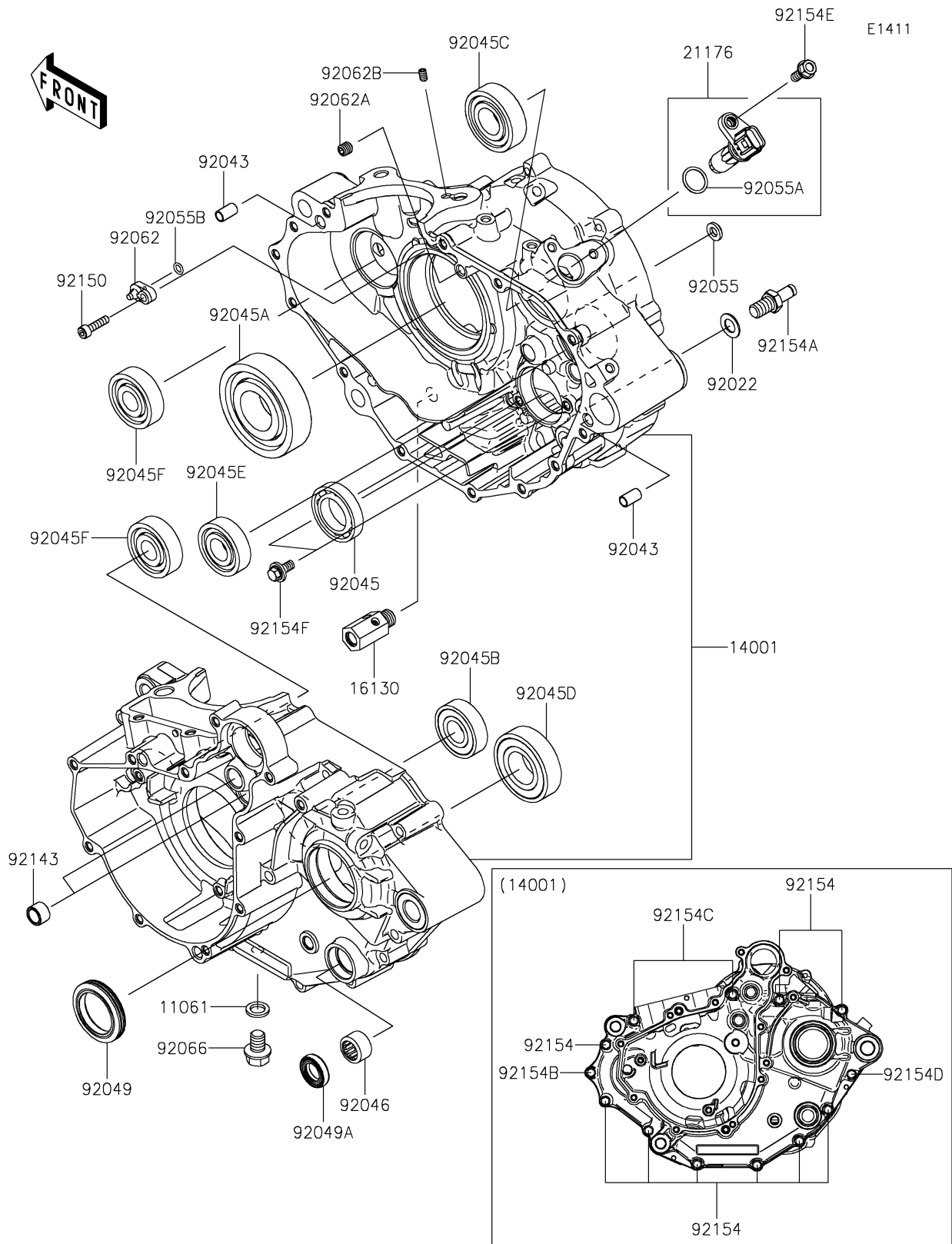


# 2024 KLX230 S ABS

## PARTS DIAGRAM

### Crankcase



# 2024 KLX230 S ABS

## PARTS LIST

### Crankcase

**ITEM NAME**

**PART NUMBER**

**QUANTITY**

---