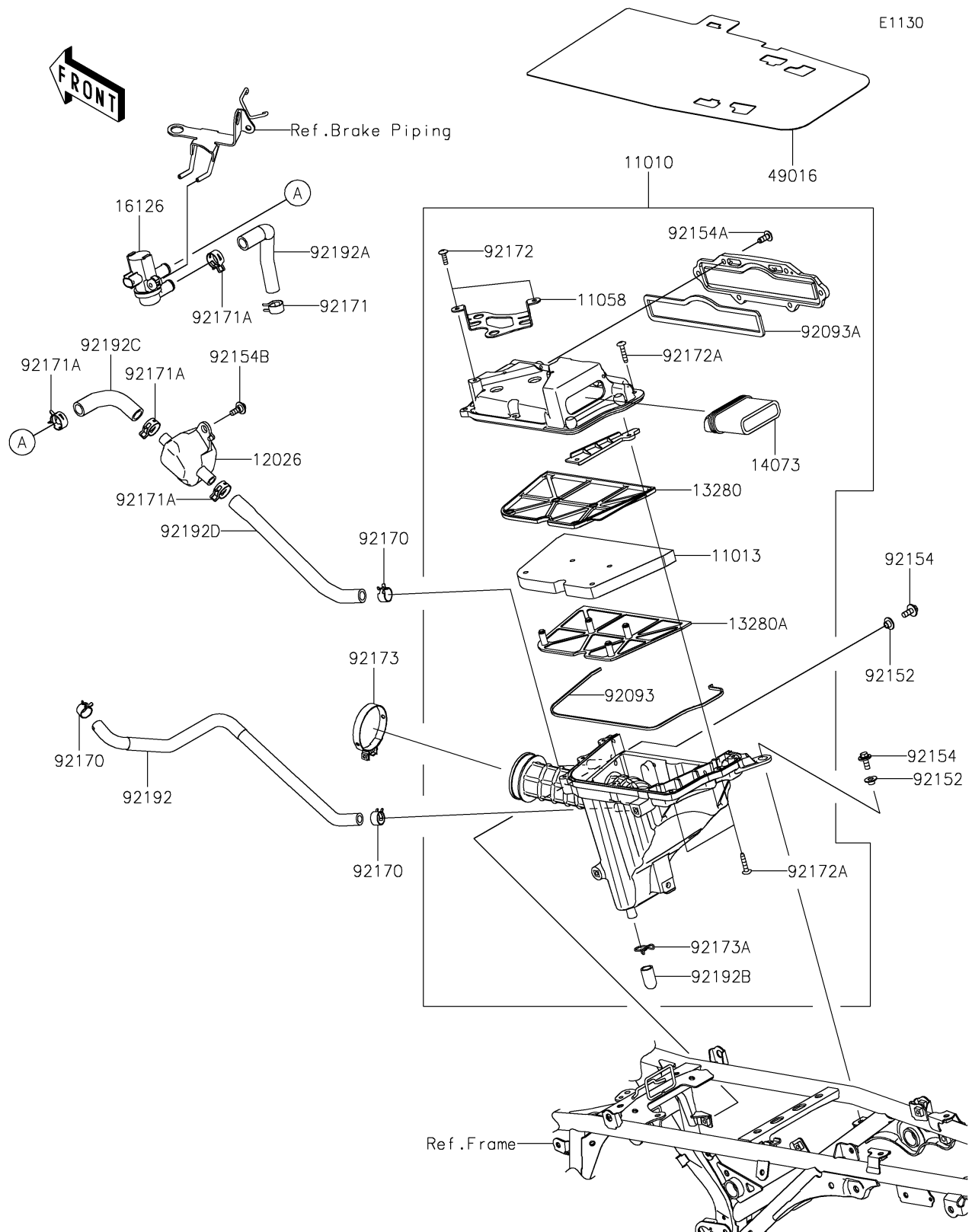


# 2026 KLX<sup>®</sup>230 S ABS

## PARTS DIAGRAM

### Air Cleaner



# 2026 KLX<sup>®</sup> 230 S ABS

## PARTS LIST

### Air Cleaner

**ITEM NAME**

**PART NUMBER**

**QUANTITY**

---