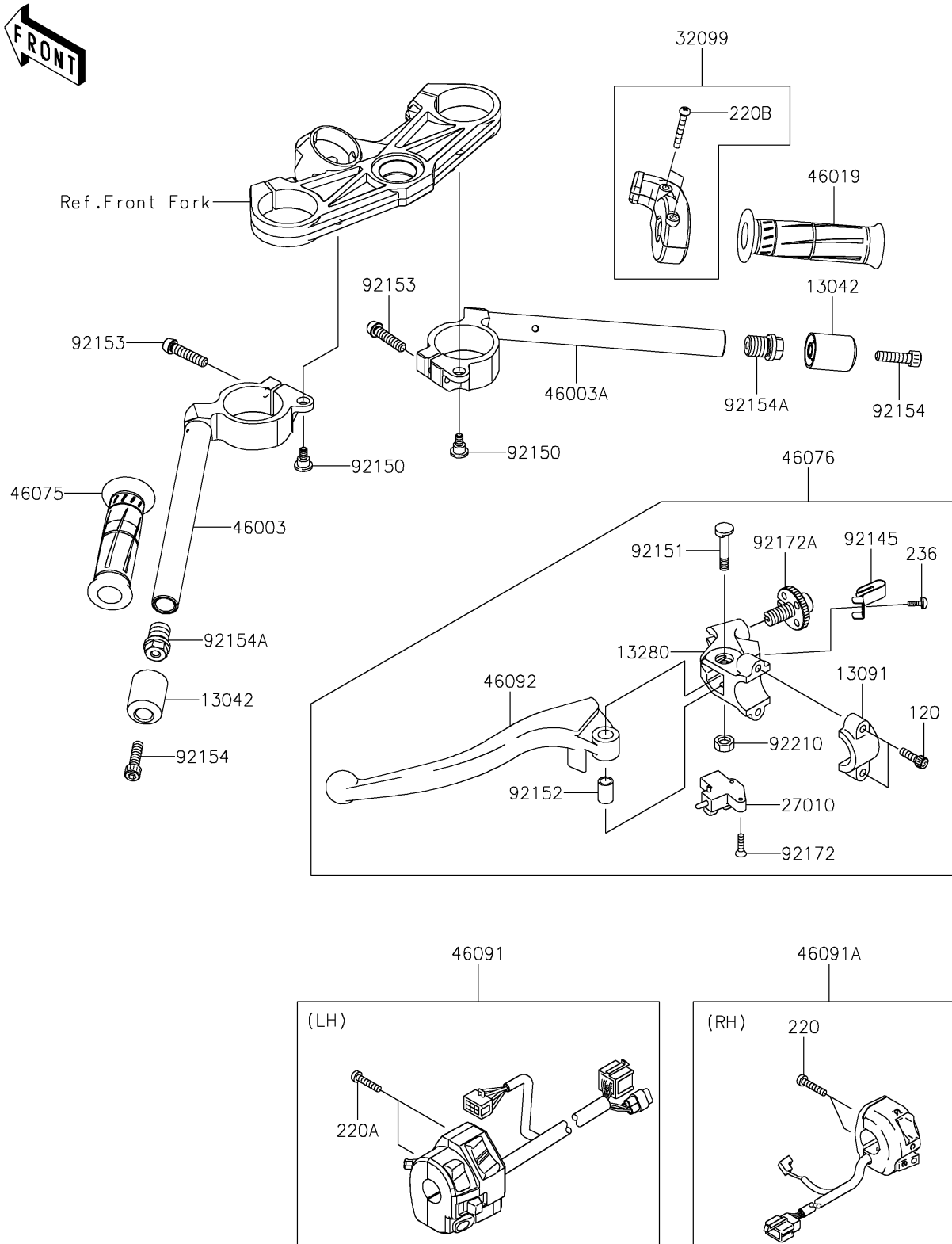


2017 NINJA[®] ZX[™]-6R ABS

PARTS DIAGRAM

Handlebar

F2310



2017 NINJA[®] ZX[™]-6R ABS

PARTS LIST

Handlebar

ITEM NAME	PART NUMBER	QUANTITY
-----------	-------------	----------
