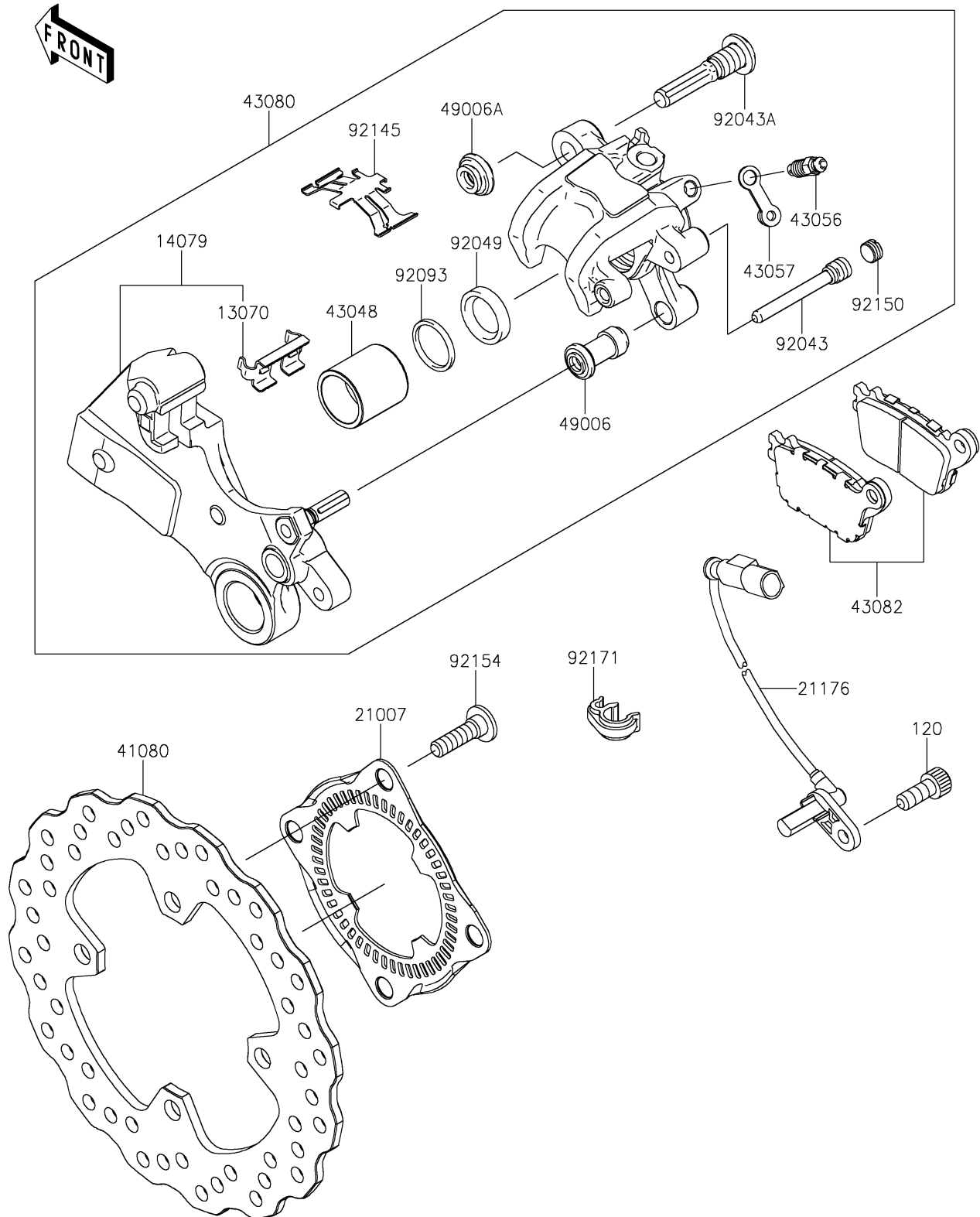


2017 Ninja ZX-6R ABS KRT Edition

PARTS DIAGRAM

Rear Brake

F2294



2017 Ninja ZX-6R ABS KRT Edition

PARTS LIST

Rear Brake

| ITEM NAME | PART NUMBER | QUANTITY |
|---|---------------|----------|
| GUIDE (Ref # 13070) | 13070-0126 | 1 |
| HOLDER-ASSY (Ref # 14079) | 14079-0576 | 1 |
| ROTOR,RR WHEEL (Ref # 21007) | 21007-0167 | 1 |
| SENSOR,SPEED,RR (Ref # 21176) | 21176-0738 | 1 |
| DISC,RR (Ref # 41080) | 41080-0211 | 1 |
| PISTON-CALIPER (Ref # 43048) | 43048-0018 | 1 |
| BREATHER (Ref # 43056) | 43056-1055 | 1 |
| CAP-BREATHER (Ref # 43057) | 43057-1001 | 1 |
| CALIPER-SUB-ASSY,RR,BLACK (Ref # 43080) | 43080-0114-DJ | 1 |
| PAD-ASSY-BRAKE (Ref # 43082) | 43082-0133 | 1 |
| BOOT,CALIPER (Ref # 49006) | 49006-1088 | 1 |
| BOOT,CALIPER (Ref # 49006A) | 49006-1242 | 1 |
| PIN,PAD (Ref # 92043) | 92043-0106 | 1 |
| PIN (Ref # 92043A) | 92043-1508 | 1 |
| SEAL-OIL,PISTON (Ref # 92049) | 92049-1331 | 1 |
| SEAL,PISTON (Ref # 92093) | 92093-1272 | 1 |
| SPRING (Ref # 92145) | 92145-0810 | 1 |
| BOLT,PLUG (Ref # 92150) | 92150-1692 | 1 |
| BOLT,SOCKET,8X30 (Ref # 92154) | 92154-1865 | 4 |
| CLAMP,BRAKE HOSE (Ref # 92171) | 92171-1819 | 3 |
| BOLT-SOCKET,8X20 (Ref # 120) | 120CB0820 | 1 |