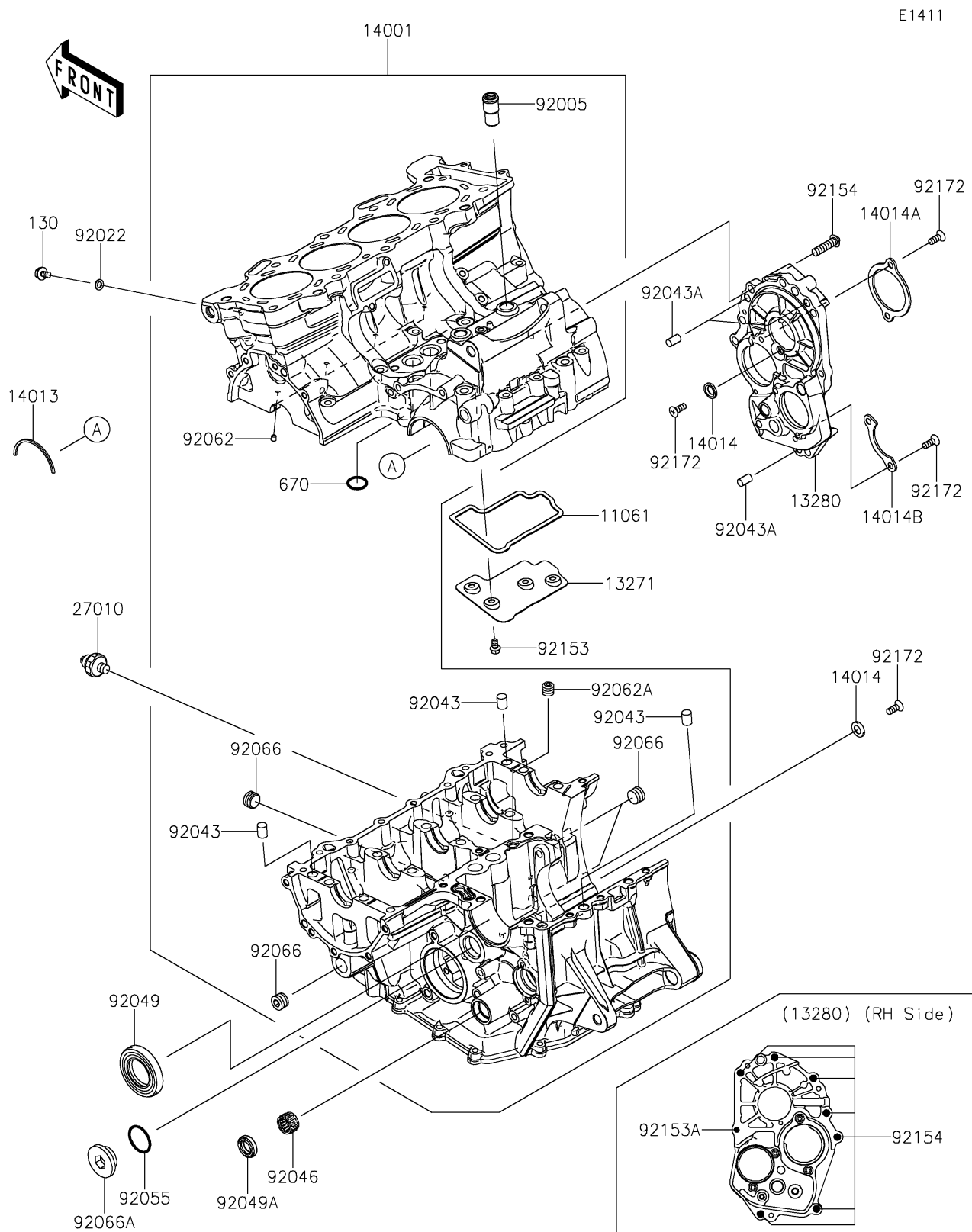


# 2017 NINJA<sup>®</sup> ZX<sup>™</sup>-6R ABS

## PARTS DIAGRAM

### Crankcase



# 2017 NINJA® ZX™-6R ABS

## PARTS LIST

### Crankcase

ITEM NAME	PART NUMBER	QUANTITY
-----------	-------------	----------

---