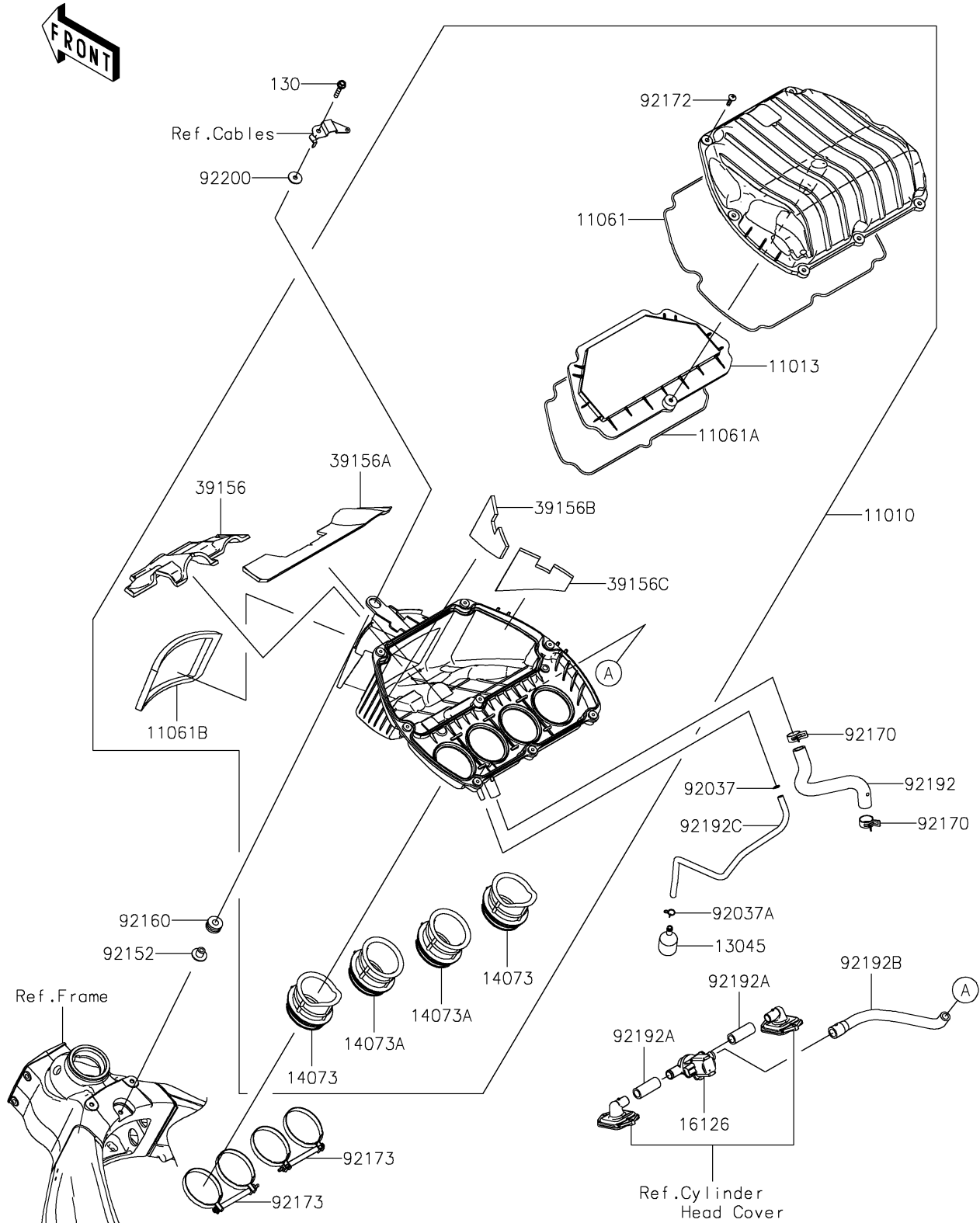


2016 Ninja ZX-6R ABS KRT Edition

PARTS DIAGRAM

Air Cleaner

E1130



2016 Ninja ZX-6R ABS KRT Edition

Kawasaki
Let the Good Times Roll®

PARTS LIST

Air Cleaner

ITEM NAME	PART NUMBER	QUANTITY
FILTER-ASSY-AIR (Ref # 11010)	11010-0764	1
ELEMENT-AIR FILTER (Ref # 11013)	11013-0036	1
GASKET,UPP CASE (Ref # 11061)	11061-0379	1
GASKET,LWR CASE (Ref # 11061A)	11061-0380	1
GASKET,FRAME-A/C (Ref # 11061B)	11061-0381	1
RECEIVER-OIL (Ref # 13045)	13045-1057	1
DUCT,FUNNEL #1 (Ref # 14073)	14073-0742	2
DUCT,FUNNEL #2 (Ref # 14073A)	14073-0766	2
VALVE,AIR SWITCHING (Ref # 16126)	16126-0745	1
PAD,FR (Ref # 39156)	39156-0513	1
PAD,RR (Ref # 39156A)	39156-0514	1
PAD,LH (Ref # 39156B)	39156-0515	1
PAD,RH (Ref # 39156C)	39156-0516	1
CLAMP,TUBE (Ref # 92037)	92037-010	1
CLAMP (Ref # 92037A)	92037-1712	1
COLLAR,6.5X10.5X13.1 (Ref # 92152)	92152-0547	1
DAMPER (Ref # 92160)	92160-1162	1
CLAMP (Ref # 92170)	92170-1060	2
SCREW (Ref # 92172)	92172-1072	8
CLAMP (Ref # 92173)	92173-0115	2
TUBE,BLOWBY (Ref # 92192)	92192-0429	1
TUBE,12X17.6X44 (Ref # 92192A)	92192-0851	2
TUBE,ASV-A/C (Ref # 92192B)	92192-0879	1
TUBE,6X9X430 (Ref # 92192C)	92192-1254	1
WASHER,6.5X22X1.6 (Ref # 92200)	92200-1087	1
BOLT-FLANGED,6X30 (Ref # 130)	130BB0630	1