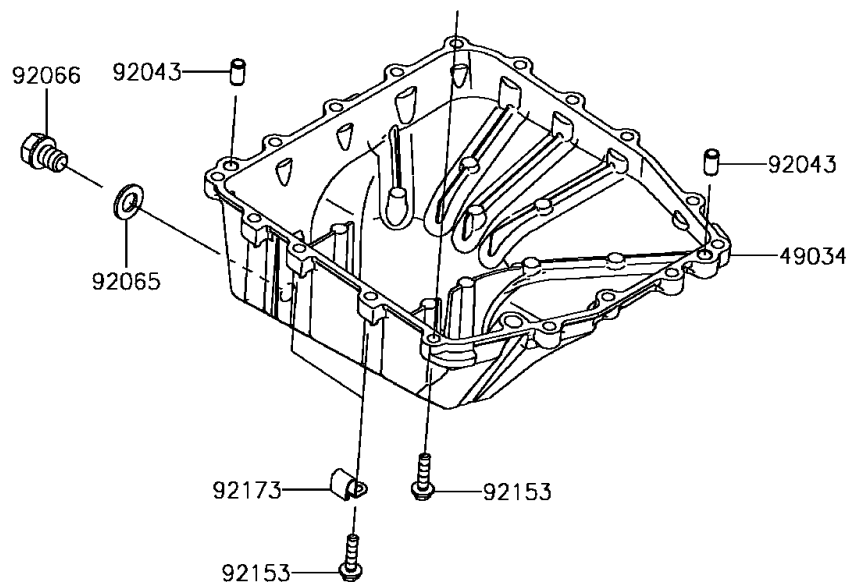
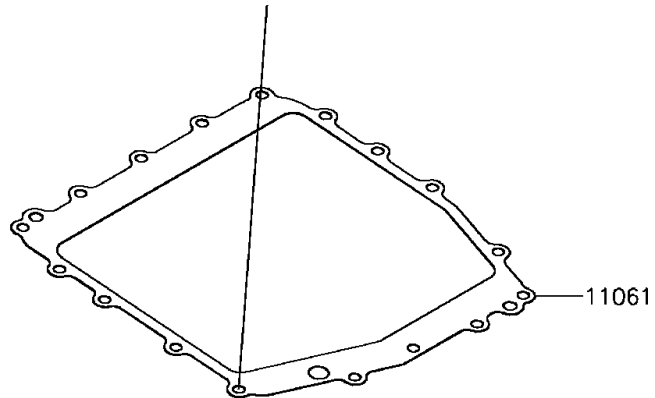
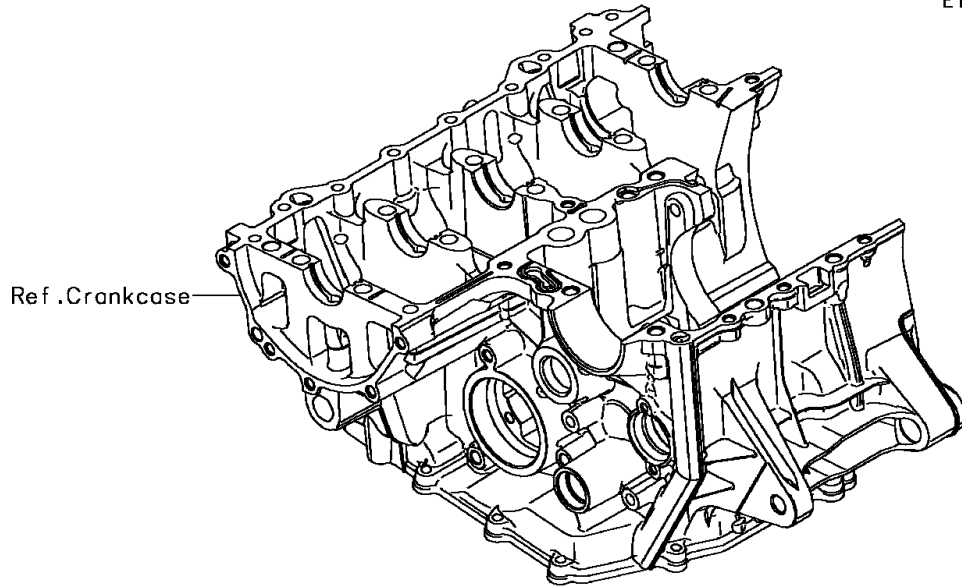


2016 Ninja ZX-6R

PARTS DIAGRAM

Oil Pan

E1434



2016 Ninja ZX-6R

PARTS LIST

Oil Pan

ITEM NAME

PART NUMBER

QUANTITY
