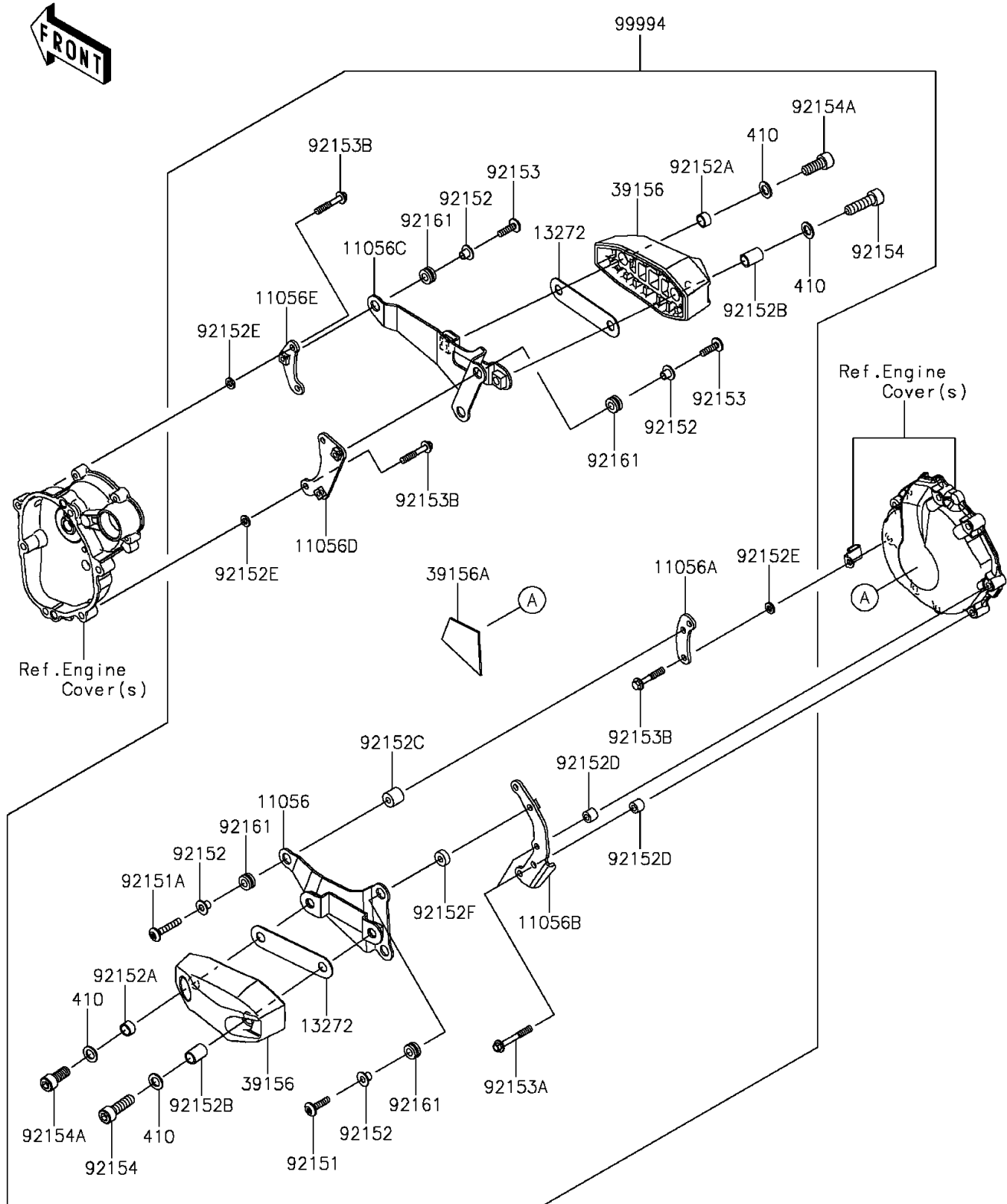


# 2015 Ninja® ZX™-6R ABS

## PARTS DIAGRAM

### Accessory(Engine Guard)

F2910A



# 2015 Ninja<sup>®</sup> ZX<sup>™</sup>-6R ABS

## PARTS LIST

Accessory(Engine Guard)

**ITEM NAME**

**PART NUMBER**

**QUANTITY**

---