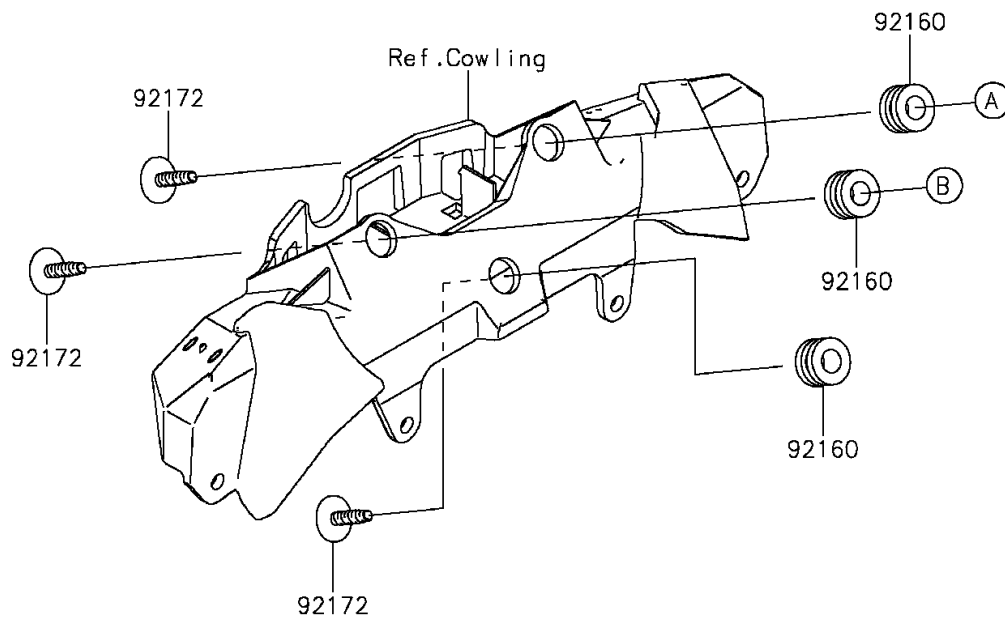
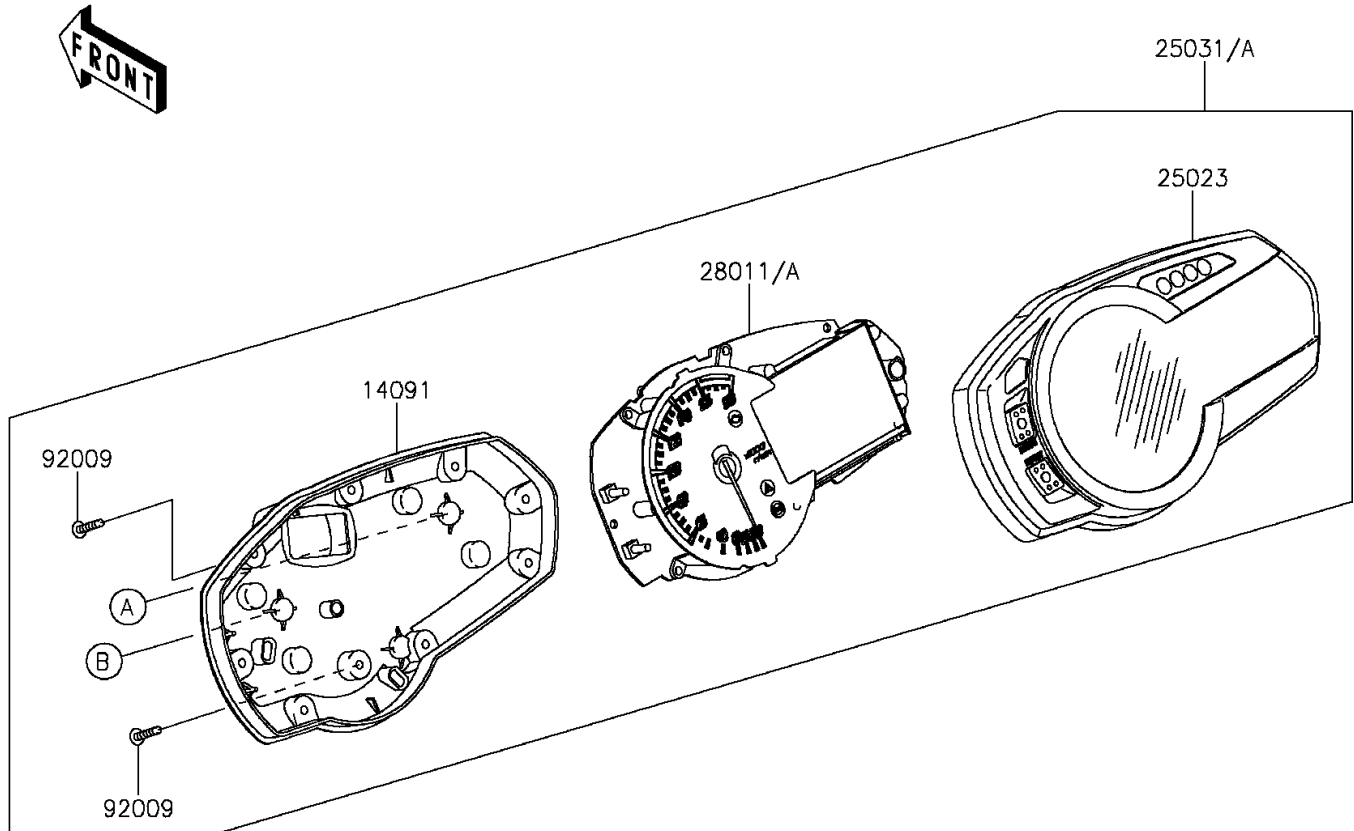


2014 NINJA[®] ZX[™]-6R ABS

PARTS DIAGRAM

Meter(s)

F2530



2014 NINJA® ZX™ -6R ABS

PARTS LIST

Meter(s)

| ITEM NAME | PART NUMBER | QUANTITY |
|-----------|-------------|----------|
|-----------|-------------|----------|
