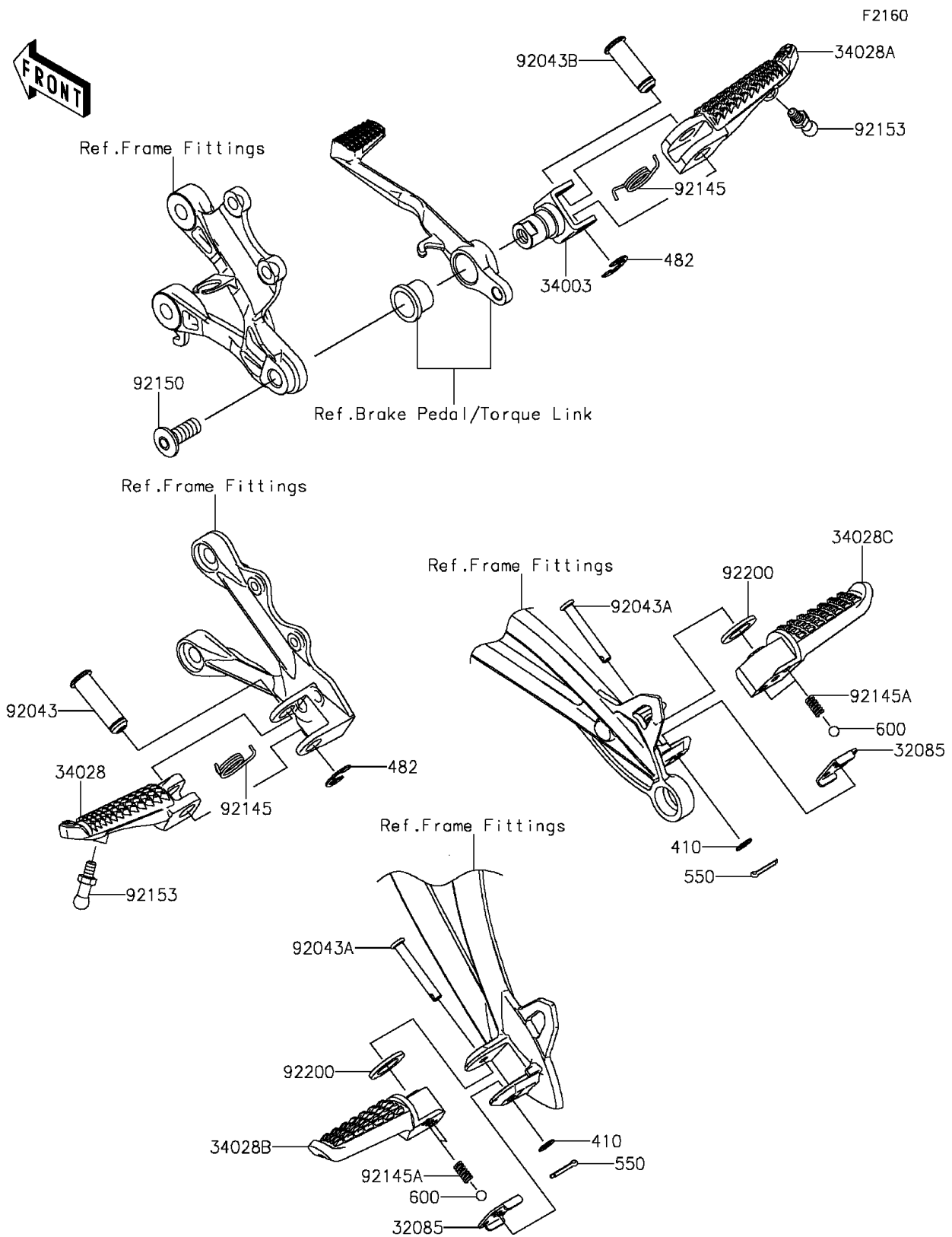


# 2014 NINJA® ZX™-6R ABS

## PARTS DIAGRAM

### Footrests



# 2014 NINJA<sup>®</sup> ZX<sup>™</sup>-6R ABS

## PARTS LIST

### Footrests

ITEM NAME	PART NUMBER	QUANTITY
-----------	-------------	----------

---