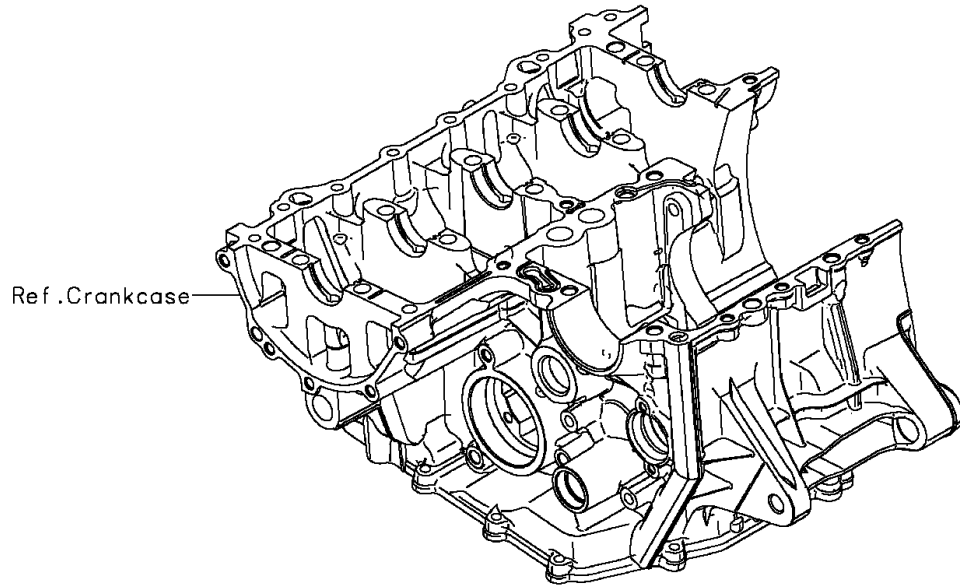


# 2014 NINJA® ZX™ -6R ABS

## PARTS DIAGRAM

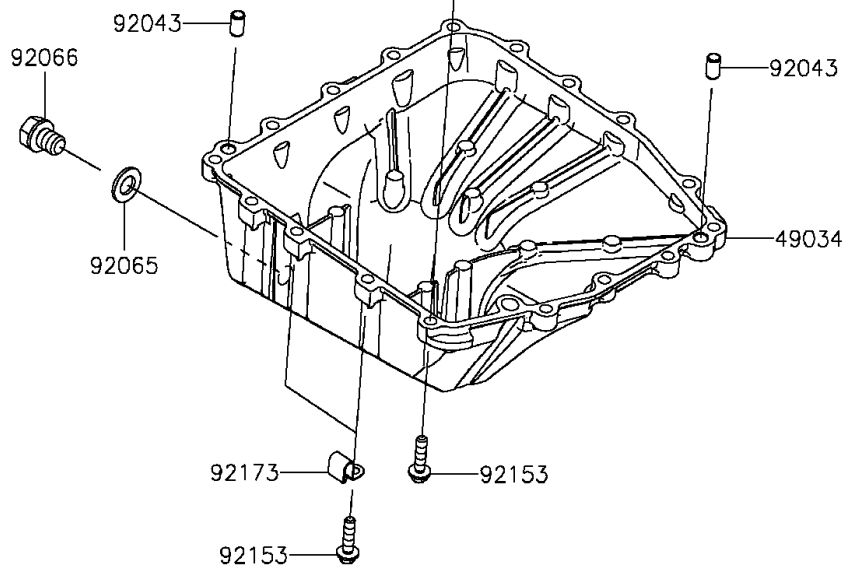
### Oil Pan

E1434



Ref. Crankcase

11061



92066

92043

92043

92065

49034

92173

92153

92153

# 2014 NINJA® ZX™-6R ABS

## PARTS LIST

Oil Pan

ITEM NAME	PART NUMBER	QUANTITY
-----------	-------------	----------

---