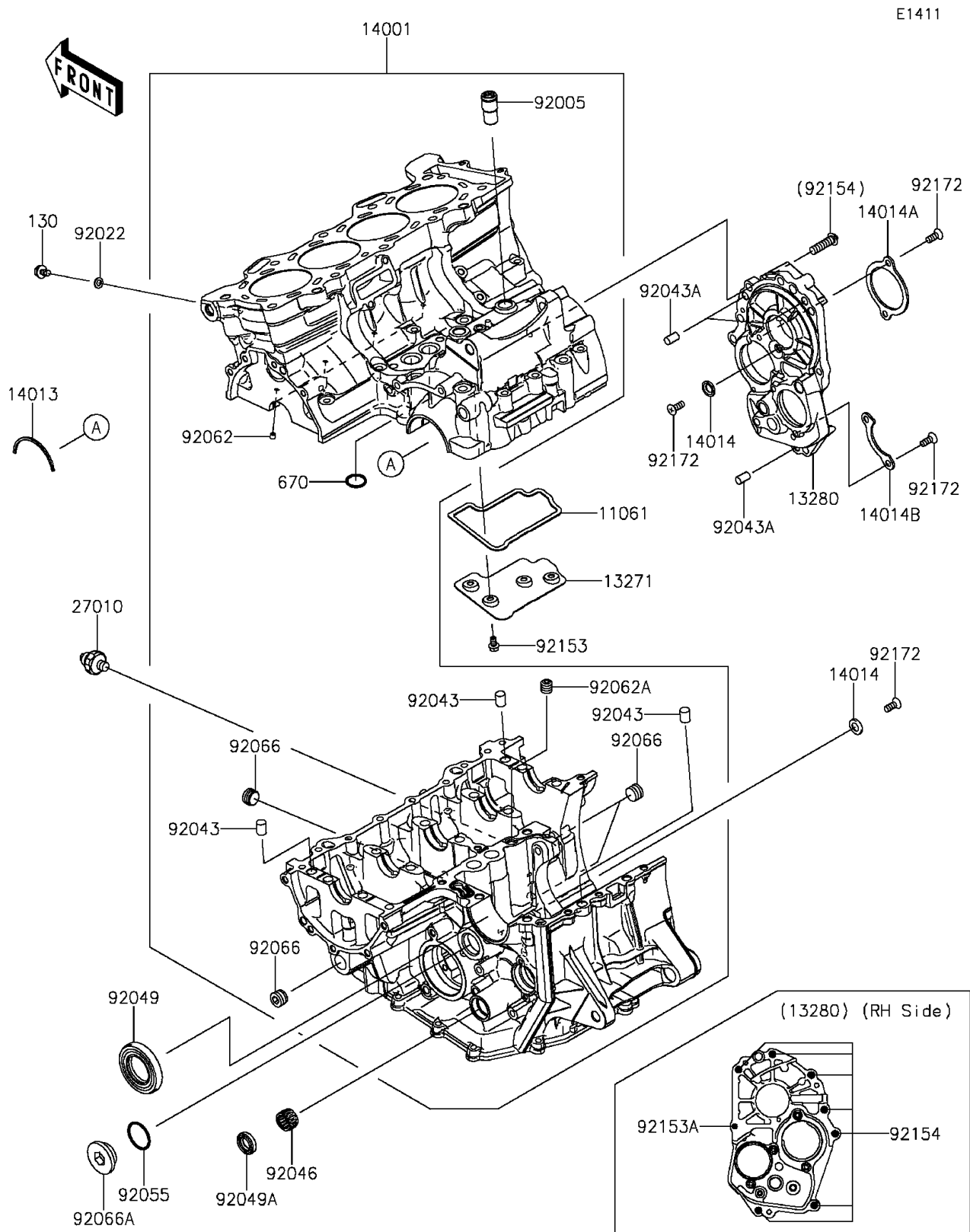


2014 NINJA[®] ZX[™]-6R ABS

PARTS DIAGRAM

Crankcase



2014 NINJA® ZX™-6R ABS

PARTS LIST

Crankcase

ITEM NAME	PART NUMBER	QUANTITY
-----------	-------------	----------
