

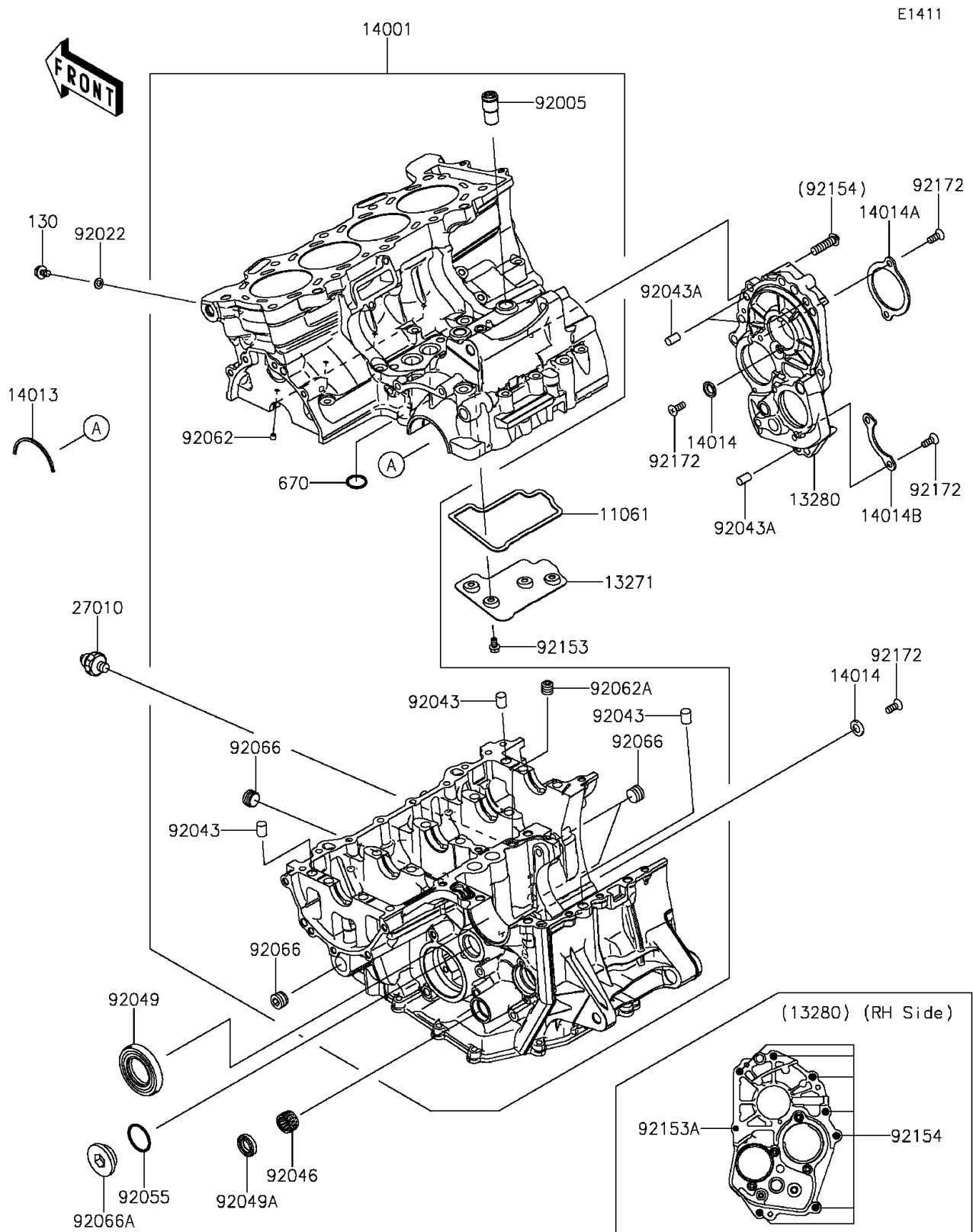
# 2015 Ninja<sup>®</sup> ZX<sup>™</sup>-6R ABS

## PARTS DIAGRAM

### Crankcase

**Kawasaki**

Let the Good Times Roll<sup>®</sup>



# 2015 Ninja® ZX™-6R ABS

## PARTS LIST

### Crankcase

**ITEM NAME**

**PART NUMBER**

**QUANTITY**

---