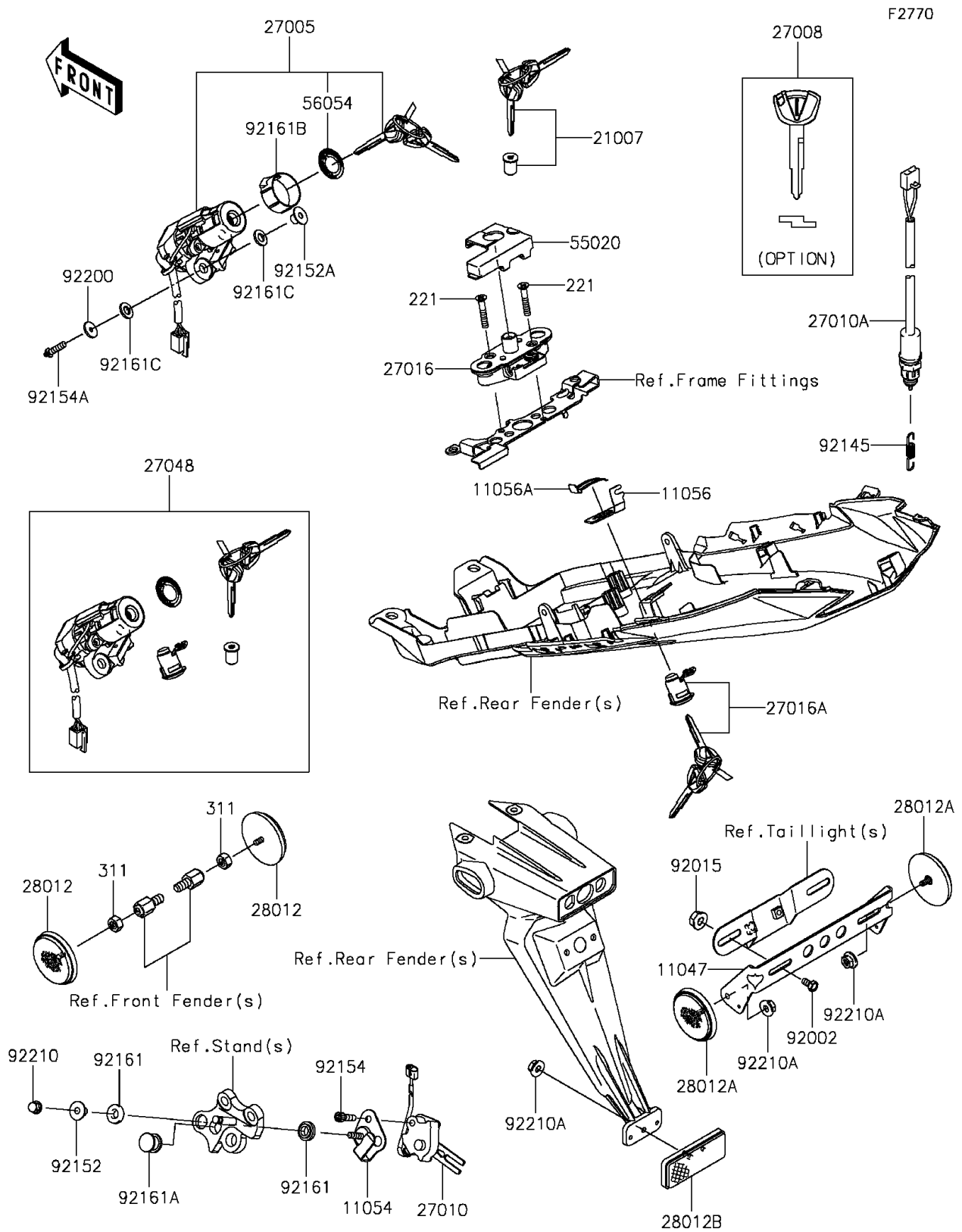


# 2015 NINJA<sup>®</sup> ZX<sup>™</sup>-6R

## PARTS DIAGRAM

### Ignition Switch/Locks/Reflectors



# 2015 NINJA® ZX™ -6R

## PARTS LIST

### Ignition Switch/Locks/Reflectors

**ITEM NAME**

**PART NUMBER**

**QUANTITY**

---