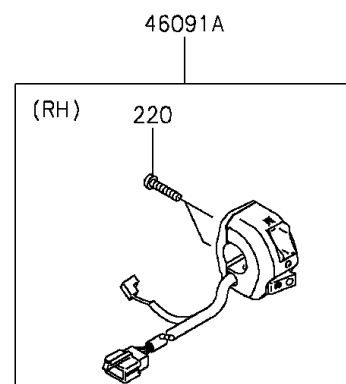
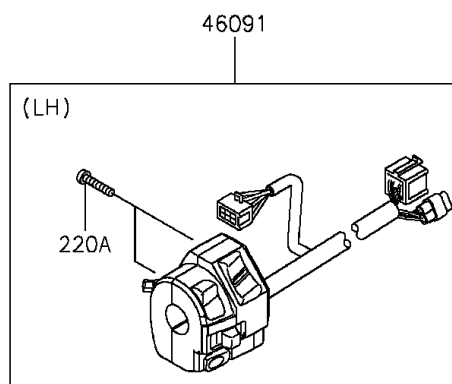
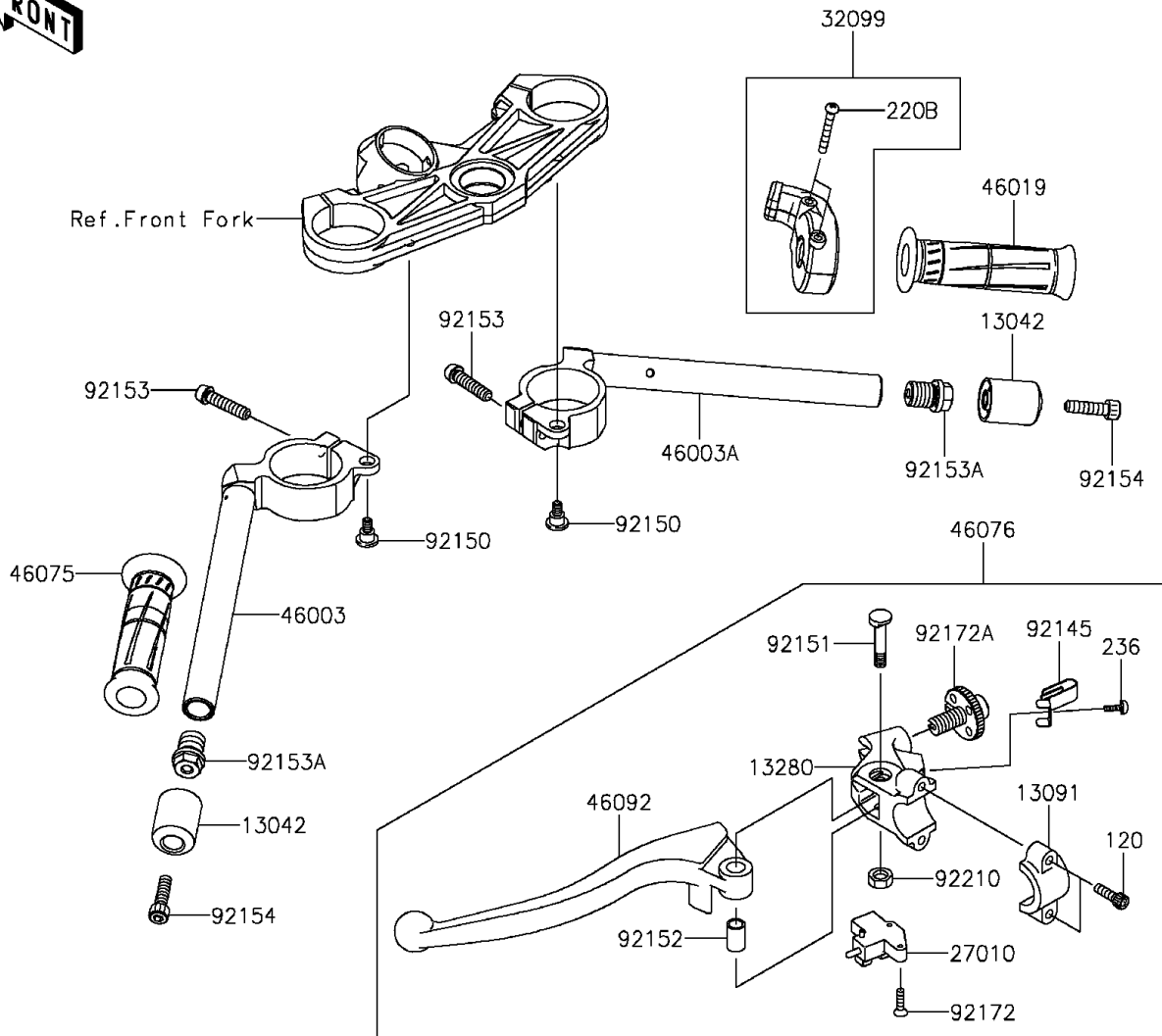


2015 NINJA[®] ZX[™]-6R

PARTS DIAGRAM

Handlebar

F2310



2015 NINJA® ZX™ -6R

PARTS LIST

Handlebar

ITEM NAME

PART NUMBER

QUANTITY
