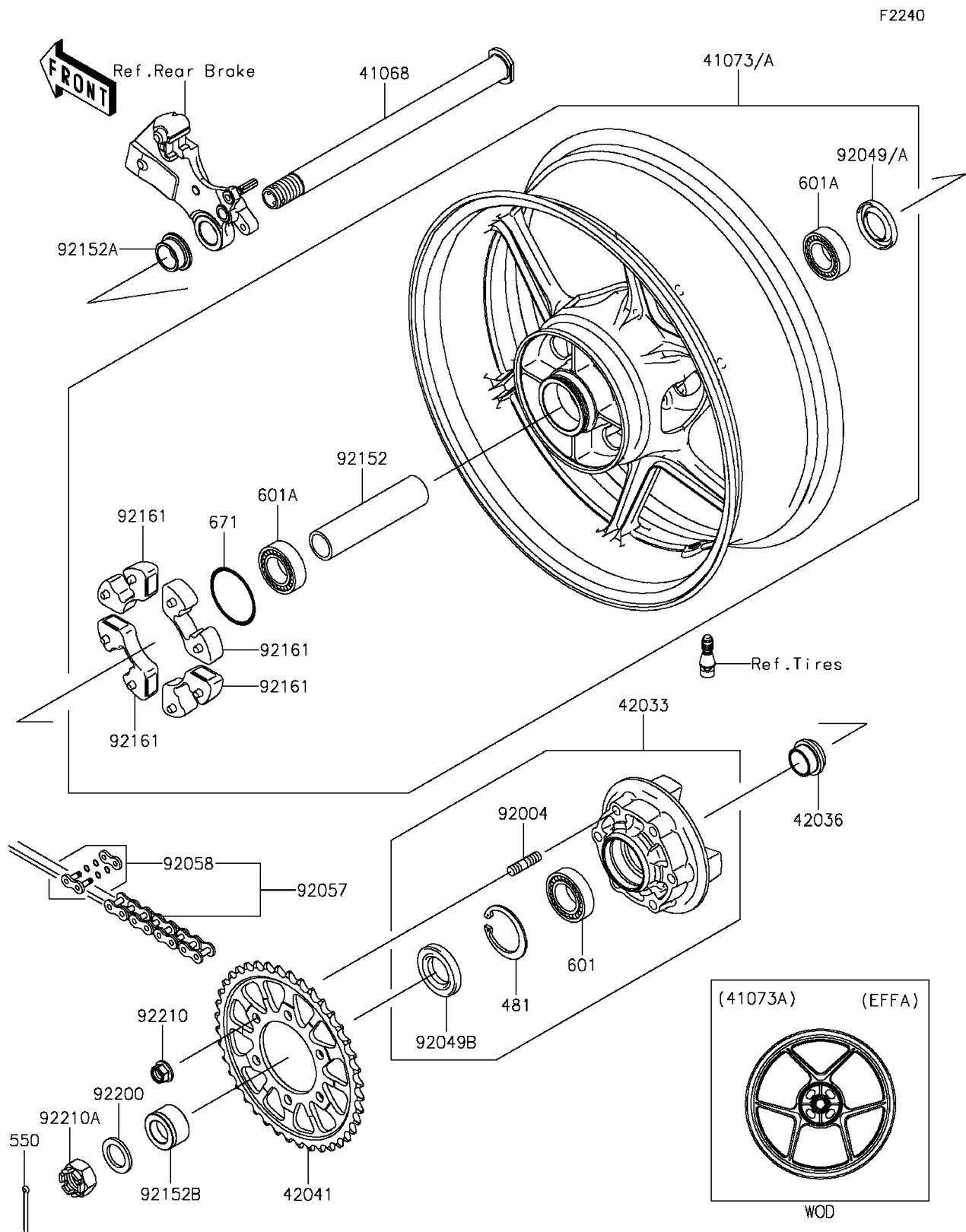


2015 NINJA[®] ZX[™]-6R

PARTS DIAGRAM

Rear Wheel/Chain



2015 NINJA® ZX™ -6R

PARTS LIST

Rear Wheel/Chain

ITEM NAME

PART NUMBER

QUANTITY
