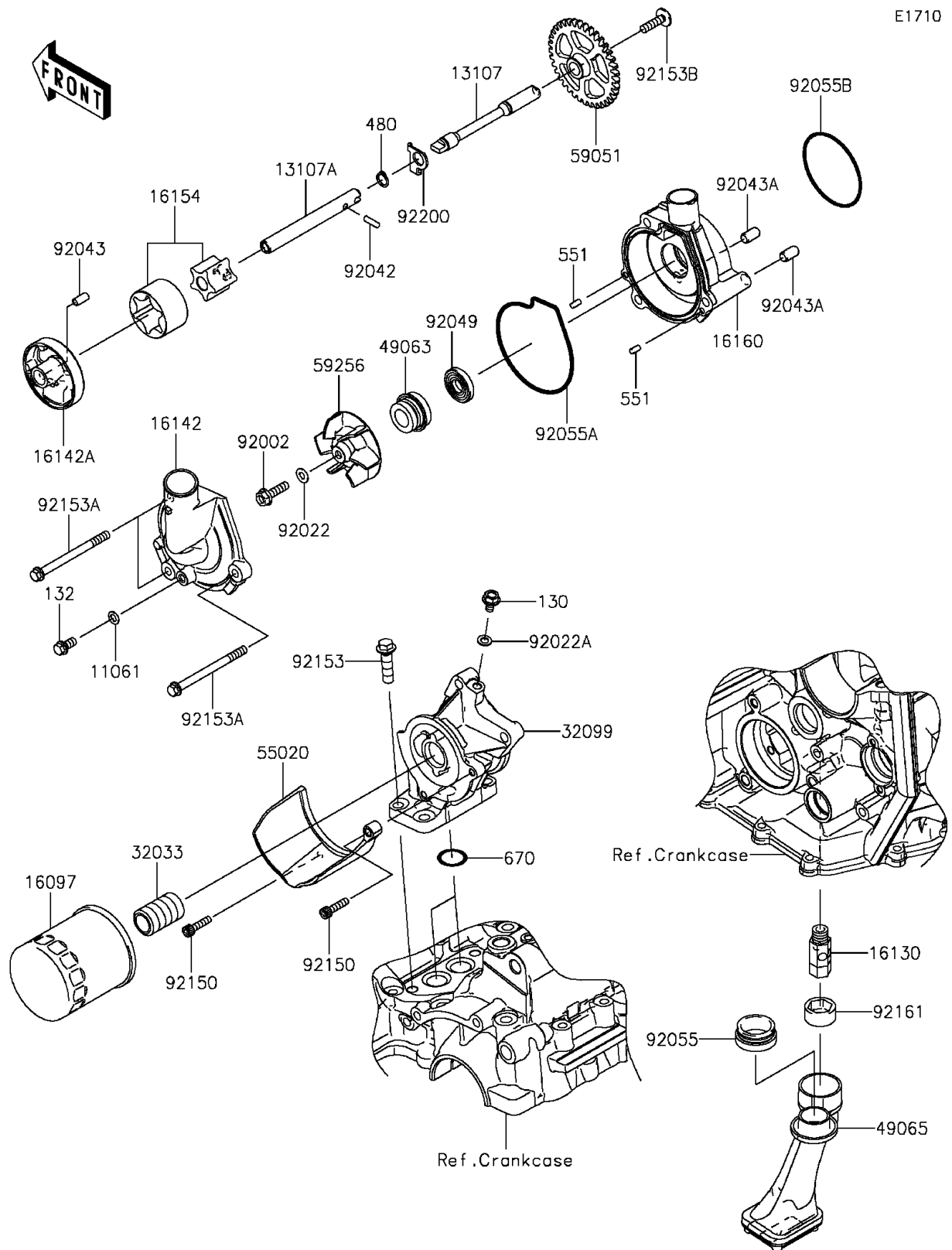


2015 NINJA[®] ZX[™]-6R

PARTS DIAGRAM

Oil Pump/Oil Filter

E1710



2015 NINJA® ZX™ -6R

PARTS LIST

Oil Pump/Oil Filter

ITEM NAME	PART NUMBER	QUANTITY
-----------	-------------	----------
