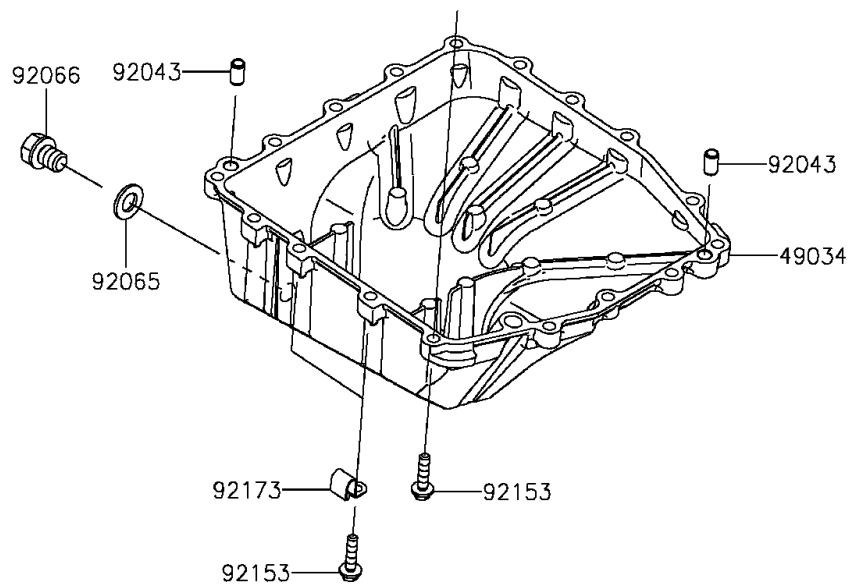
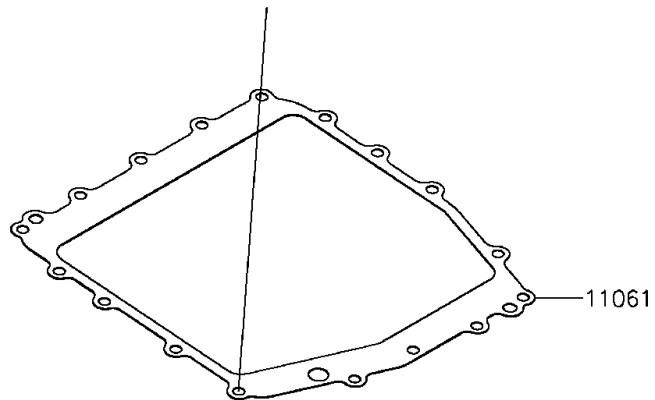
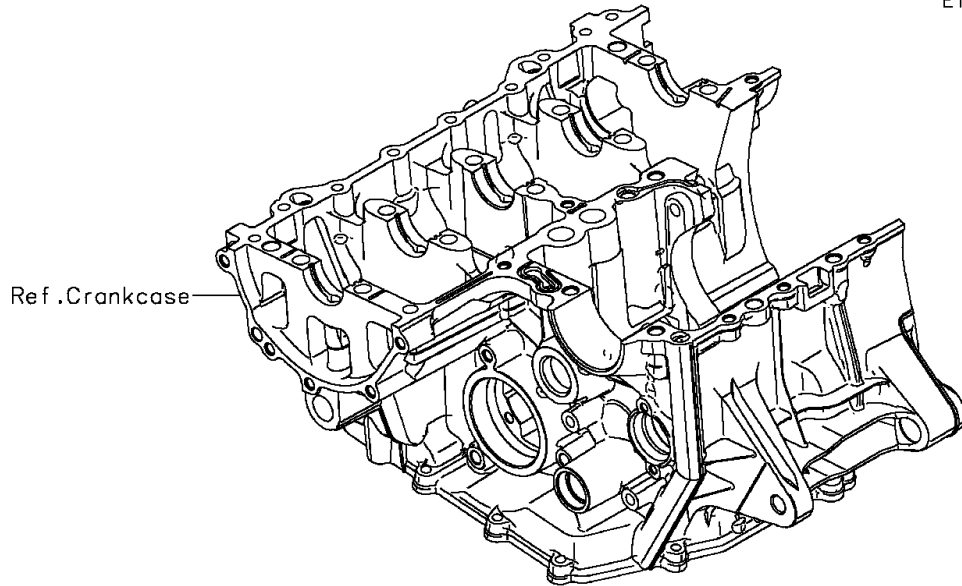


2015 NINJA® ZX™-6R

PARTS DIAGRAM

Oil Pan

E1434



2015 NINJA[®] ZX[™]-6R

PARTS LIST

Oil Pan

ITEM NAME

PART NUMBER

QUANTITY
