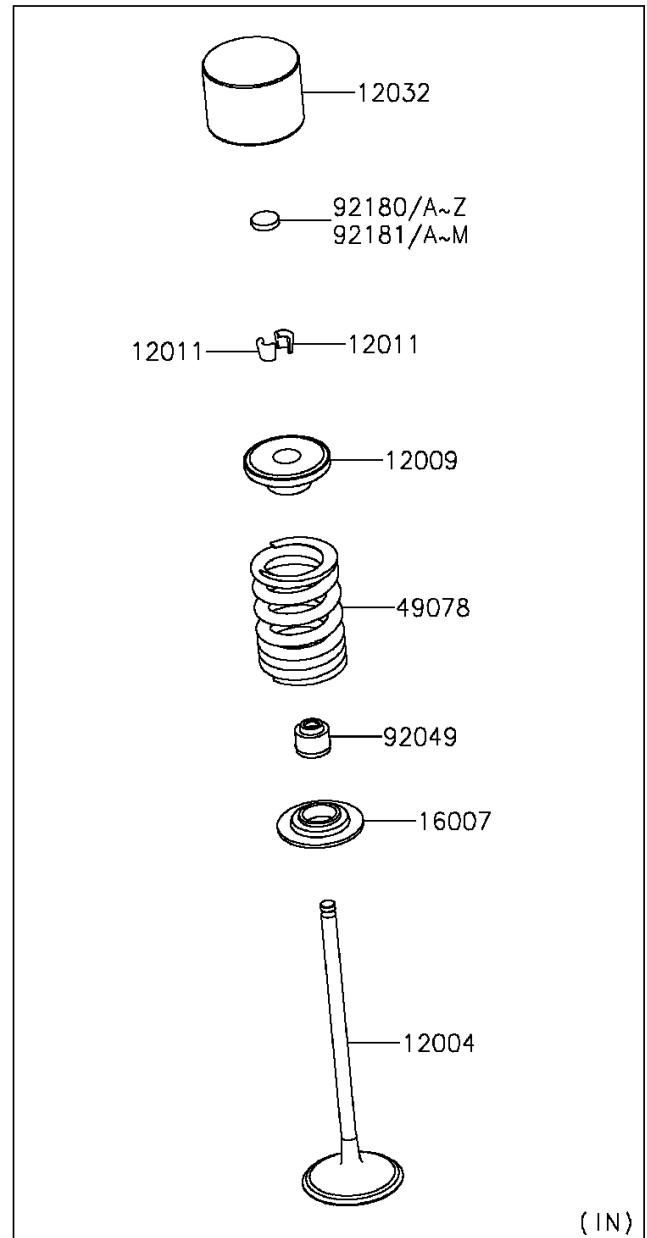
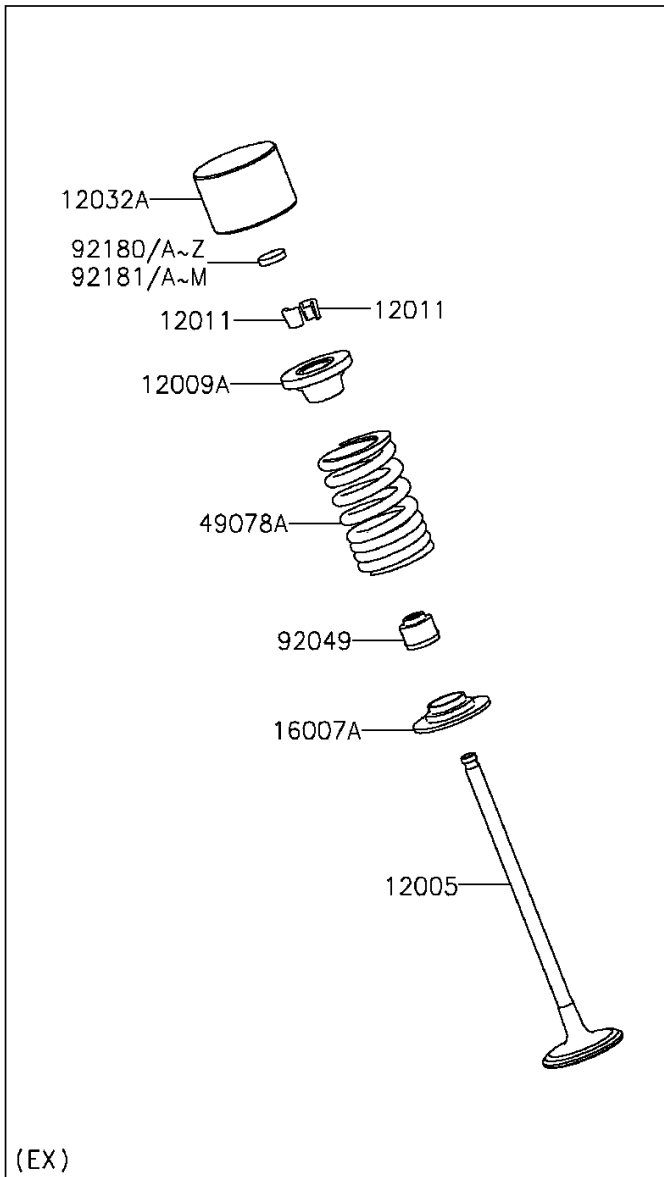


2015 NINJA® ZX™ -6R

PARTS DIAGRAM

Valve(s)

E1210



2015 NINJA[®] ZX[™]-6R

PARTS LIST

Valve(s)

ITEM NAME

PART NUMBER

QUANTITY
