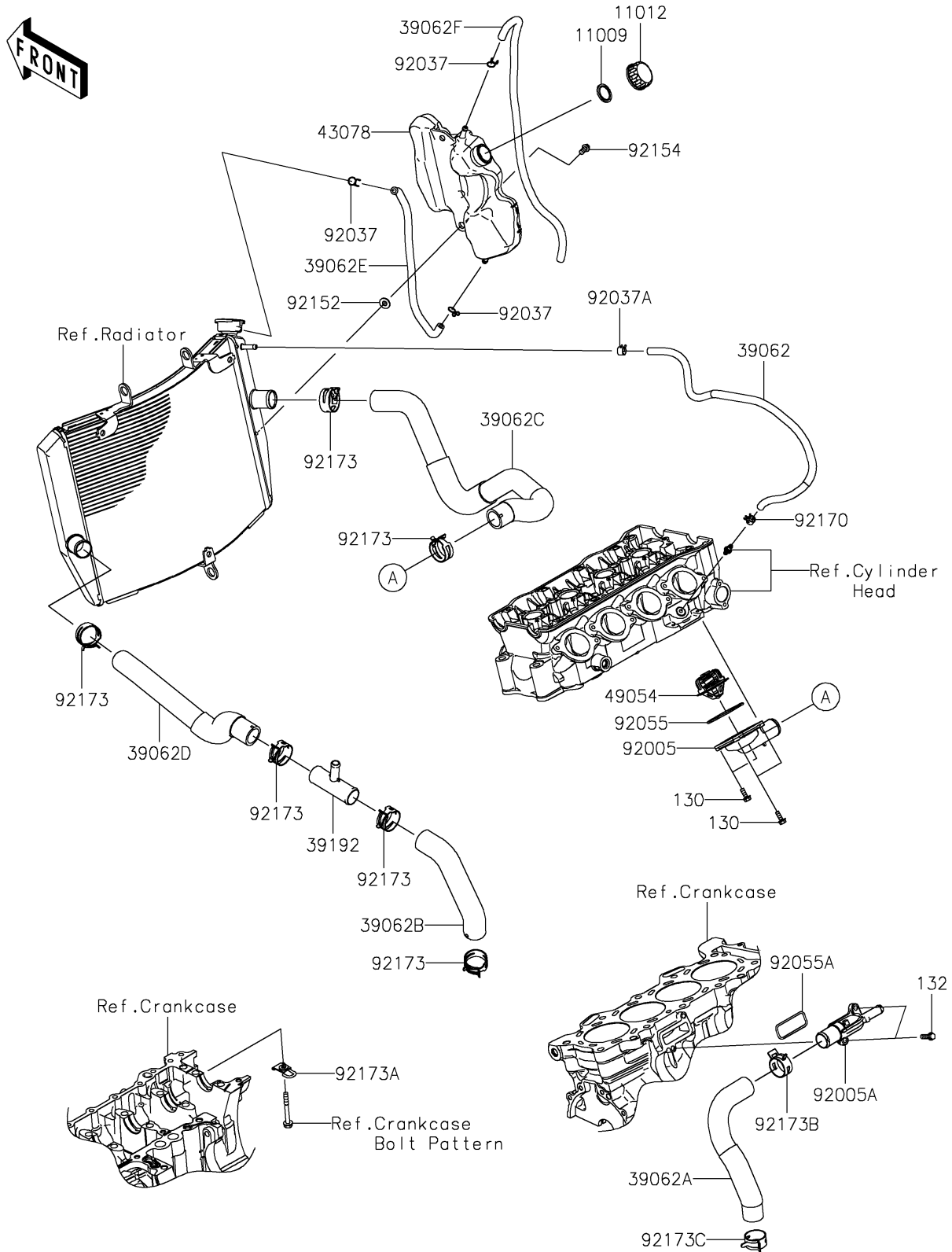


2024 NINJA® ZX™-6R

PARTS DIAGRAM

Water Pipe

E3037



2024 NINJA[®] ZX[™]-6R

PARTS LIST

Water Pipe

ITEM NAME	PART NUMBER	QUANTITY
-----------	-------------	----------
