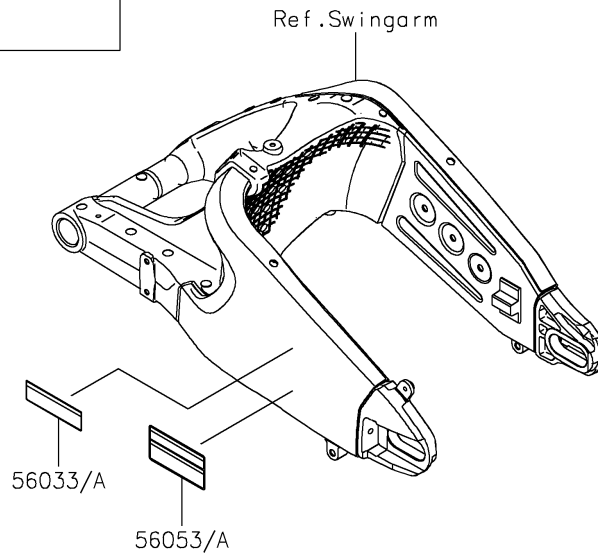
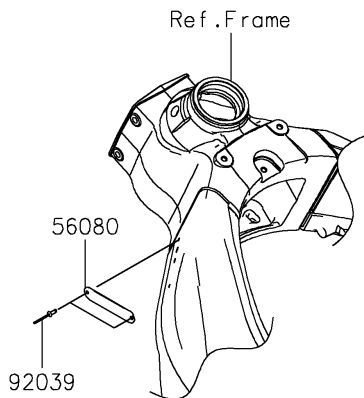
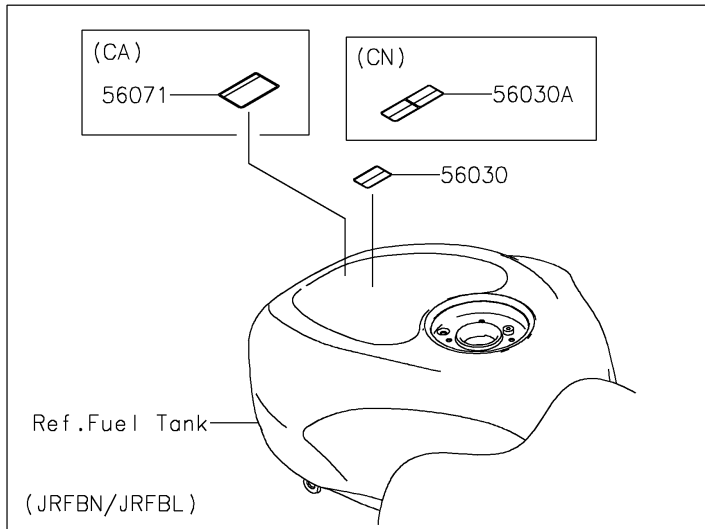
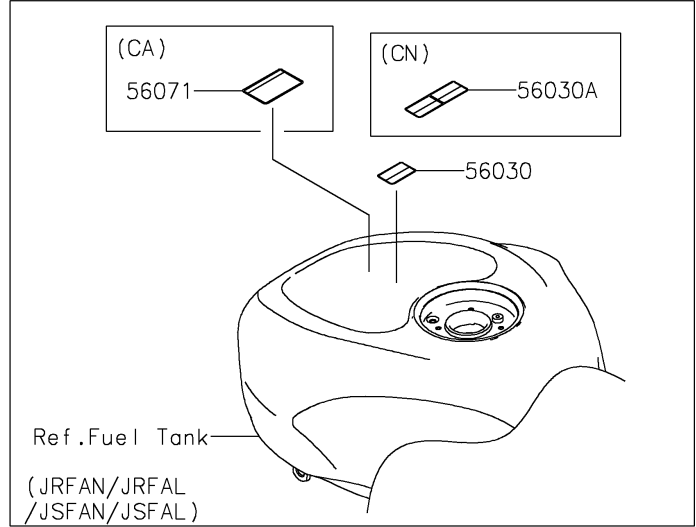


PARTS DIAGRAM

Labels

F2860



2024 NINJA® ZX™-6R 40th ANNIVERSARY EDITION ABS



PARTS LIST

Labels

ITEM NAME	PART NUMBER	QUANTITY
-----------	-------------	----------
