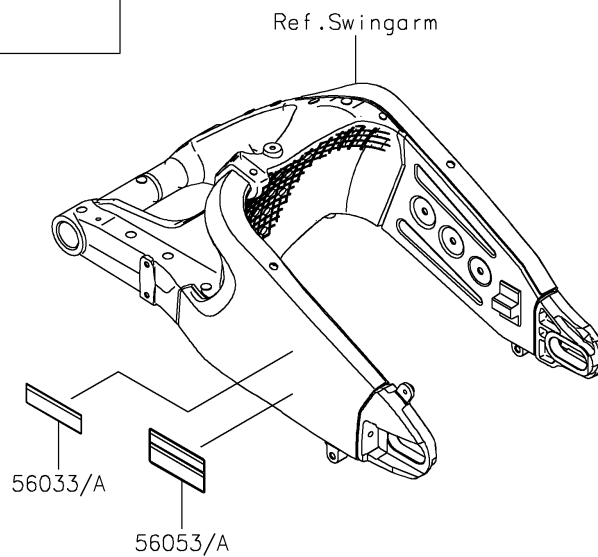
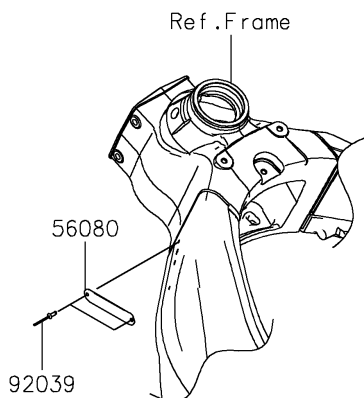
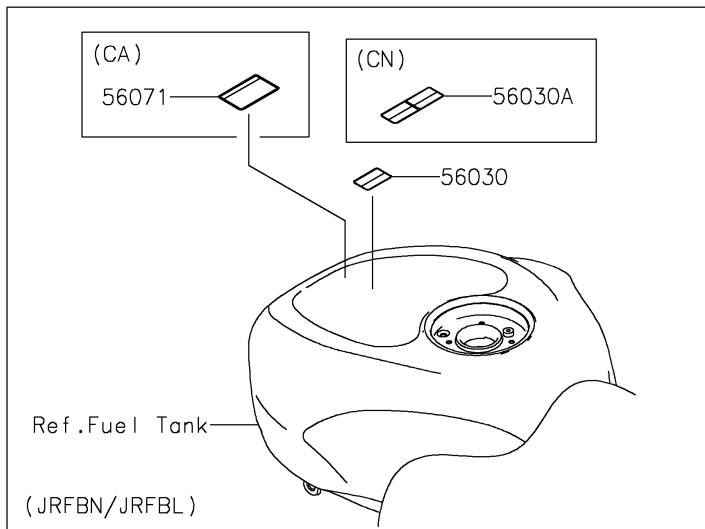
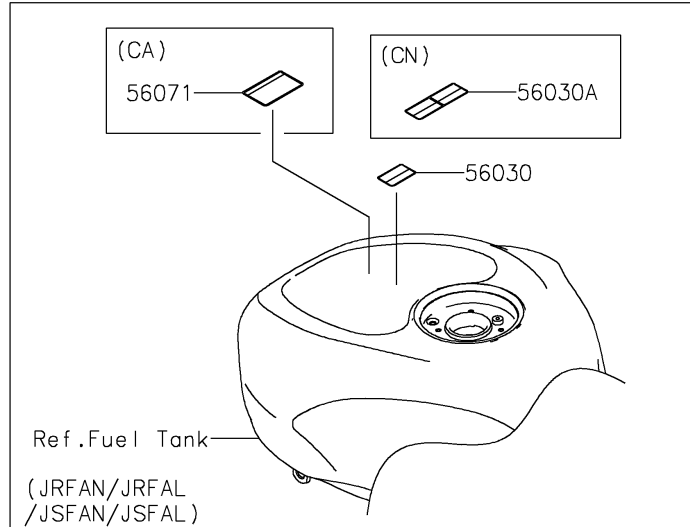


2024 Ninja® ZX-6R ABS

PARTS DIAGRAM

Labels

F2860



2024 Ninja® ZX-6R ABS

PARTS LIST

Labels



ITEM NAME	PART NUMBER	QUANTITY
-----------	-------------	----------
