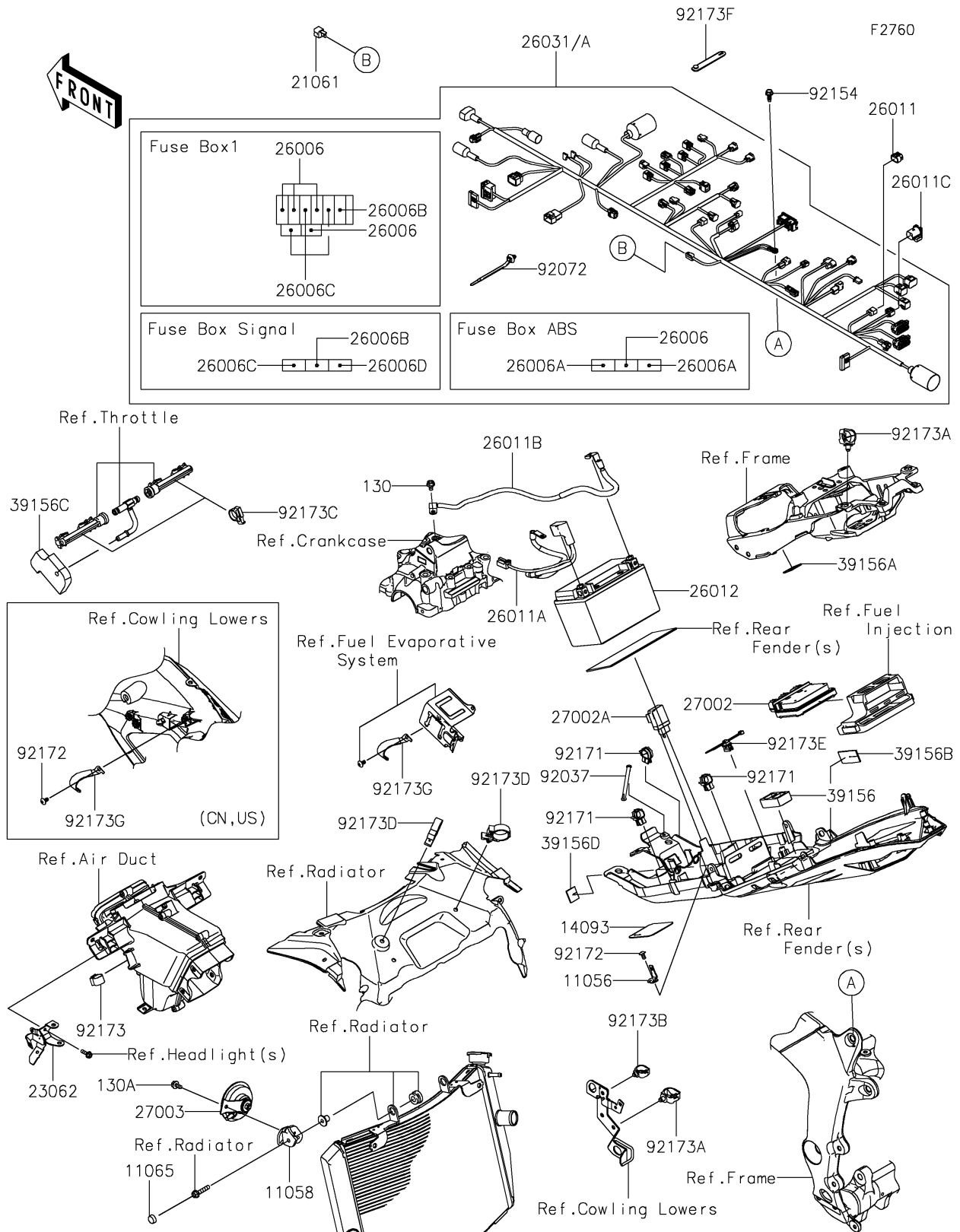


2024 Ninja® ZX-6R ABS

PARTS DIAGRAM

Chassis Electrical Equipment



2024 Ninja® ZX-6R ABS

PARTS LIST

Chassis Electrical Equipment



ITEM NAME

PART NUMBER

QUANTITY
