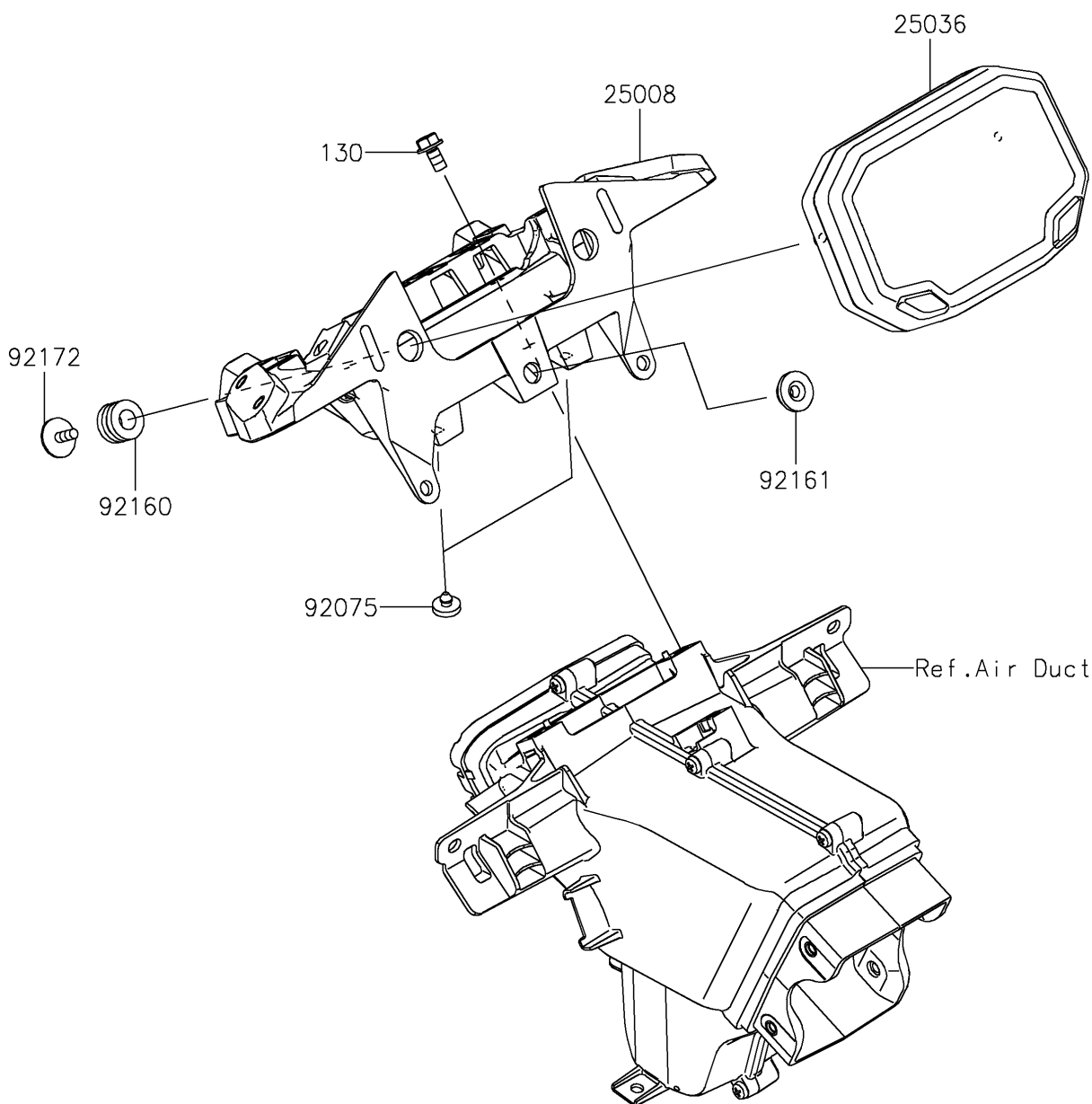


2024 Ninja® ZX-6R ABS

PARTS DIAGRAM

Meter(s)

F2530



2024 Ninja® ZX-6R ABS

PARTS LIST

Meter(s)

ITEM NAME

PART NUMBER

QUANTITY
