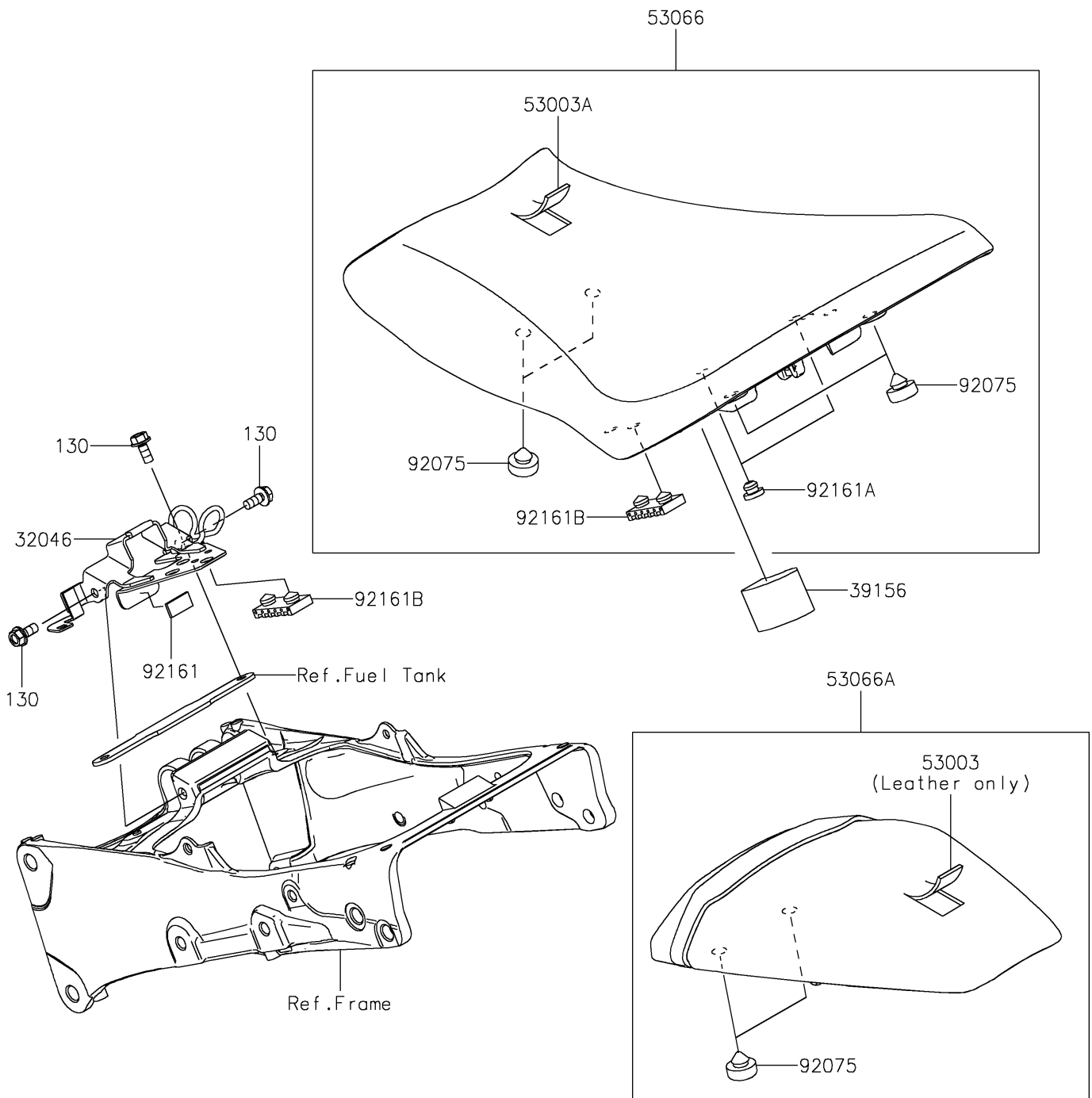


## PARTS DIAGRAM

### Seat

F2510



# 2024 NINJA® ZX™-6R 40th ANNIVERSARY EDITION ABS



## PARTS LIST

Seat

ITEM NAME	PART NUMBER	QUANTITY
-----------	-------------	----------

---