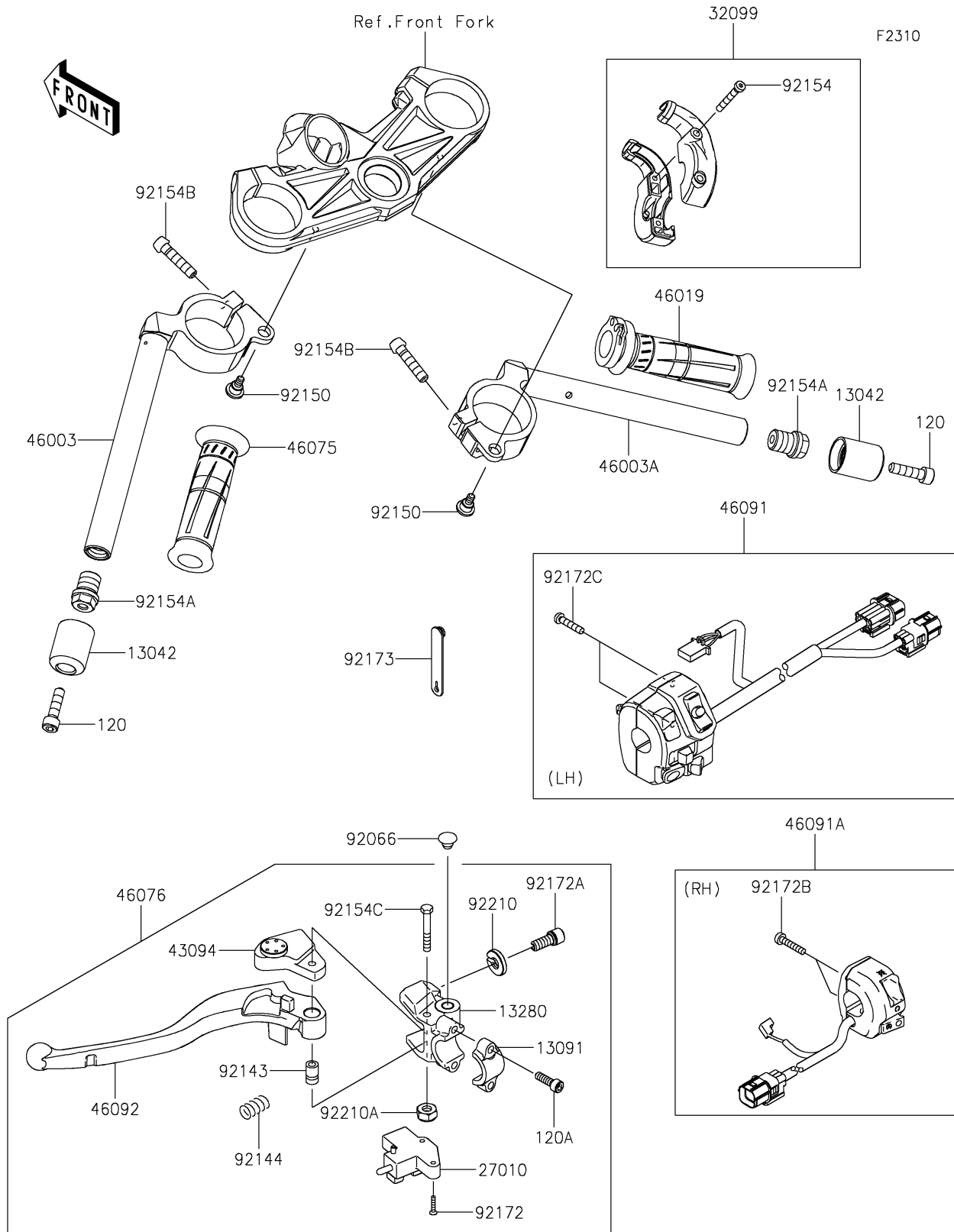


2024 NINJA® ZX™-6R 40th ANNIVERSARY EDITION ABS

PARTS DIAGRAM Handlebar



2024 NINJA® ZX™-6R 40th ANNIVERSARY EDITION ABS



PARTS LIST

Handlebar

ITEM NAME	PART NUMBER	QUANTITY
-----------	-------------	----------
