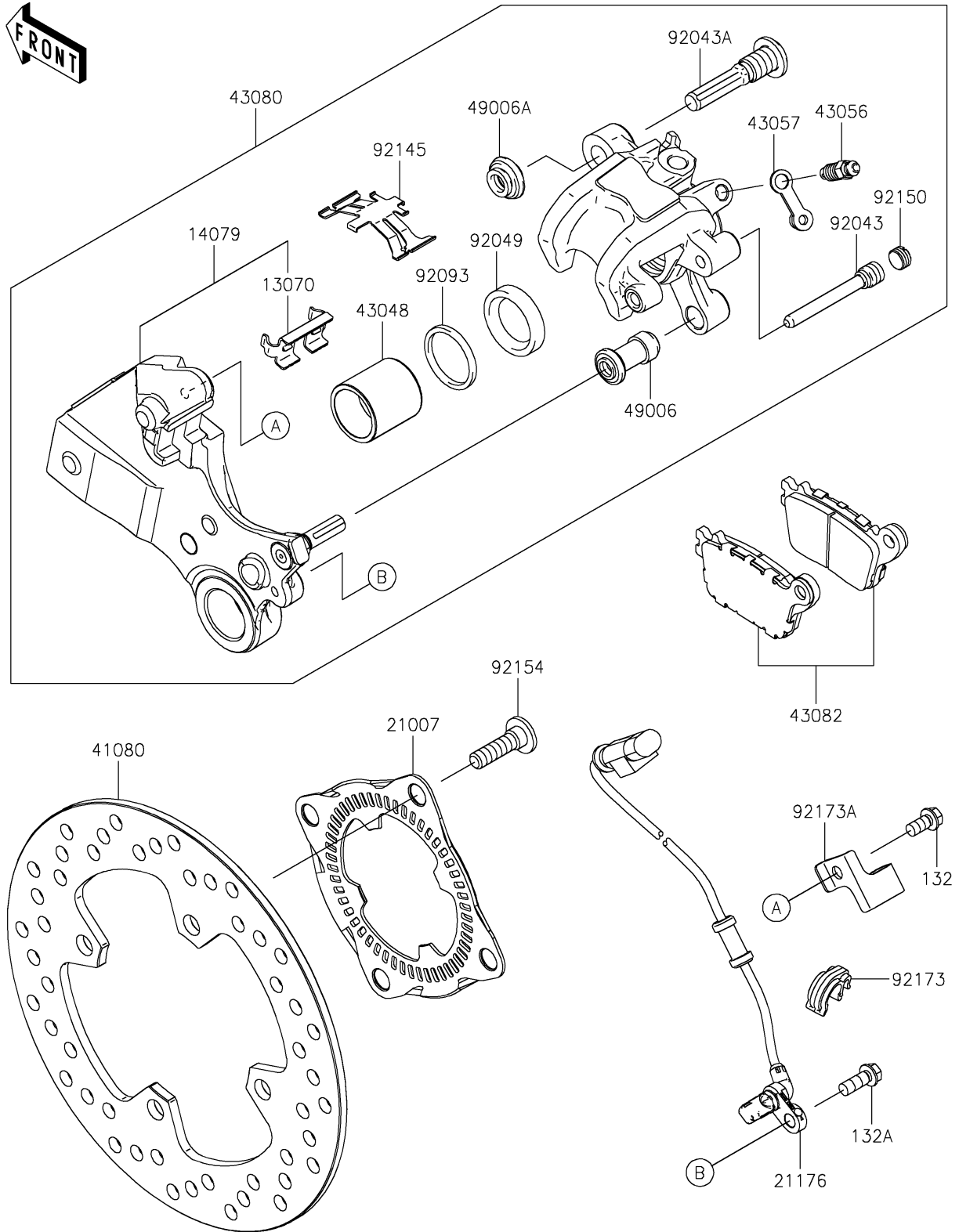


2024 NINJA® ZX™-6R 40th ANNIVERSARY EDITION ABS

PARTS DIAGRAM

Rear Brake

F2294



2024 NINJA® ZX™-6R 40th ANNIVERSARY EDITION ABS



PARTS LIST

Rear Brake

ITEM NAME	PART NUMBER	QUANTITY
-----------	-------------	----------
