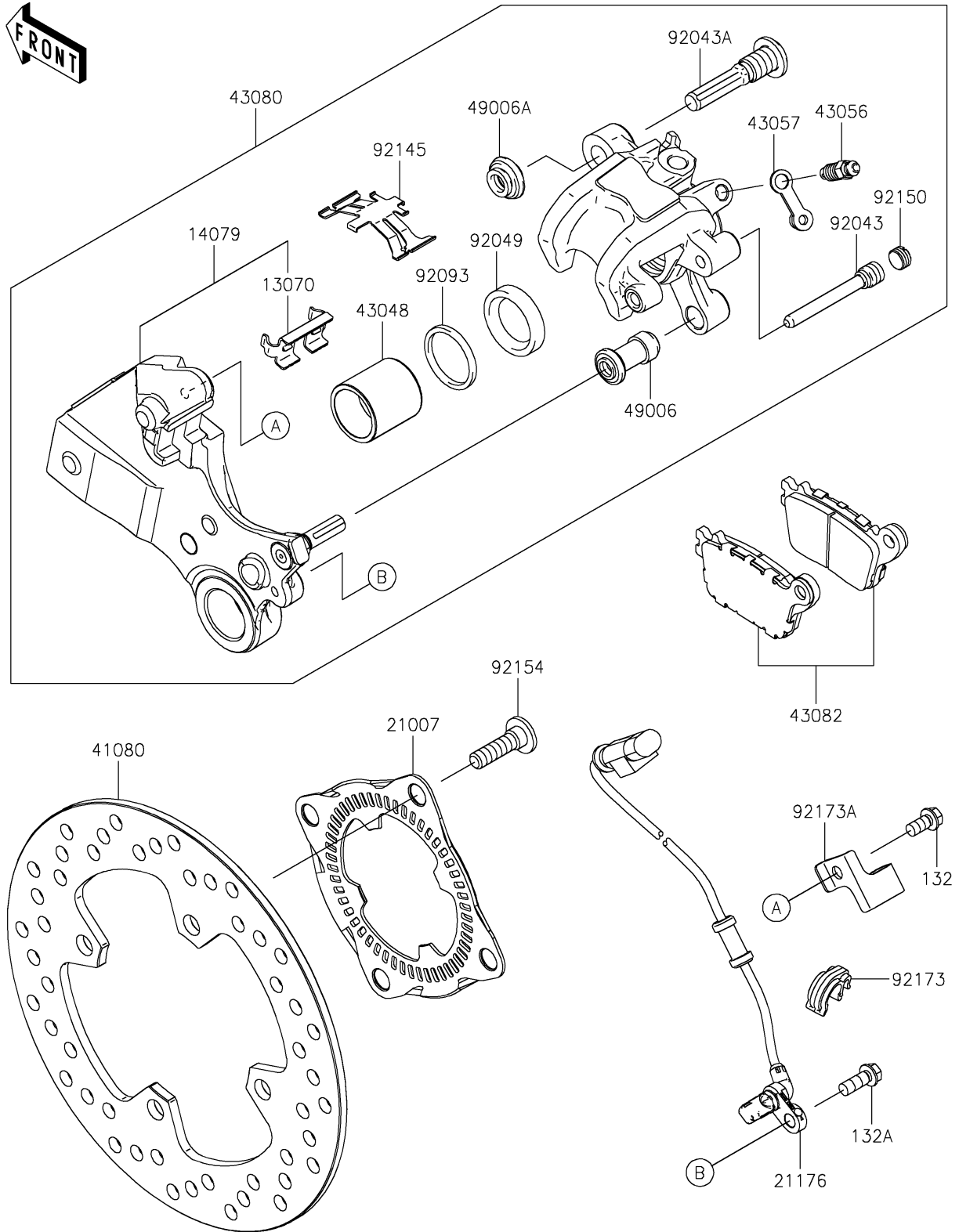


# 2024 Ninja® ZX-6R ABS

## PARTS DIAGRAM

### Rear Brake

F2294



# 2024 Ninja® ZX-6R ABS

## PARTS LIST

### Rear Brake

**ITEM NAME**

**PART NUMBER**

**QUANTITY**

---