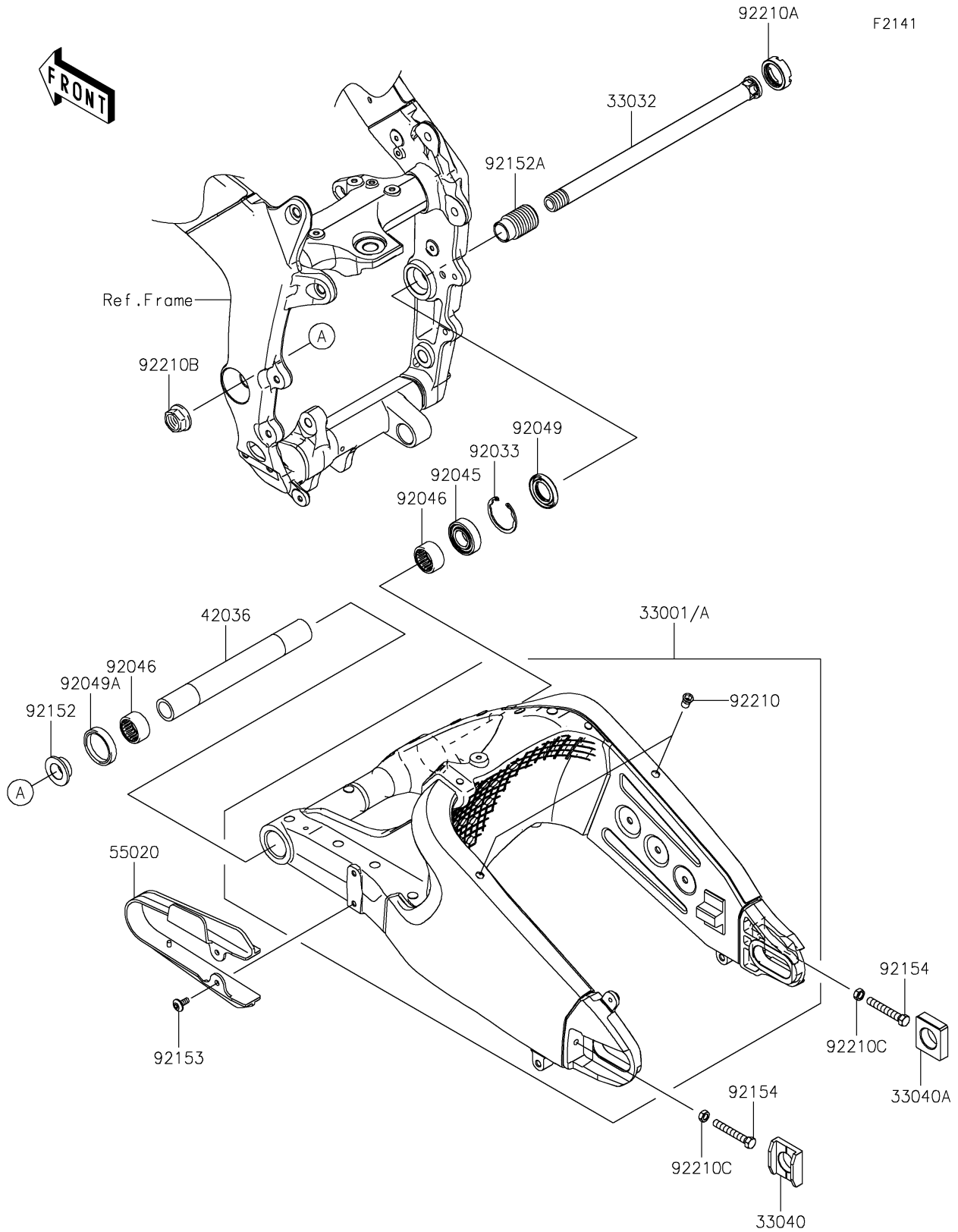


# 2024 NINJA® ZX™-6R 40th ANNIVERSARY EDITION ABS

## PARTS DIAGRAM

### Swingarm



# 2024 NINJA® ZX™-6R 40th ANNIVERSARY EDITION ABS



## PARTS LIST

### Swingarm

ITEM NAME	PART NUMBER	QUANTITY
-----------	-------------	----------

---