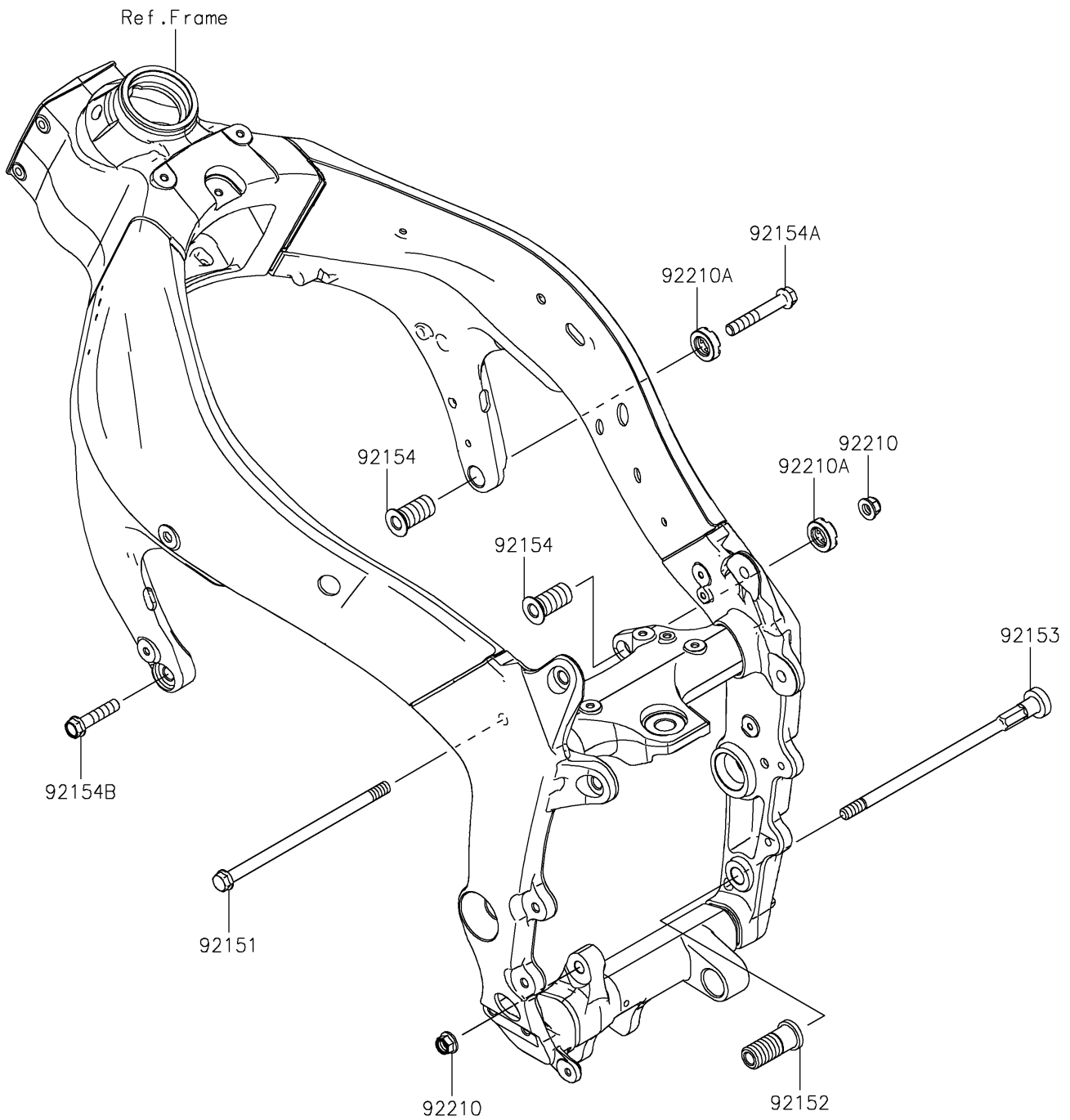


## PARTS DIAGRAM

### Engine Mount

F2122



# 2024 NINJA® ZX™-6R 40th ANNIVERSARY EDITION ABS



## PARTS LIST Engine Mount

ITEM NAME	PART NUMBER	QUANTITY
-----------	-------------	----------

---