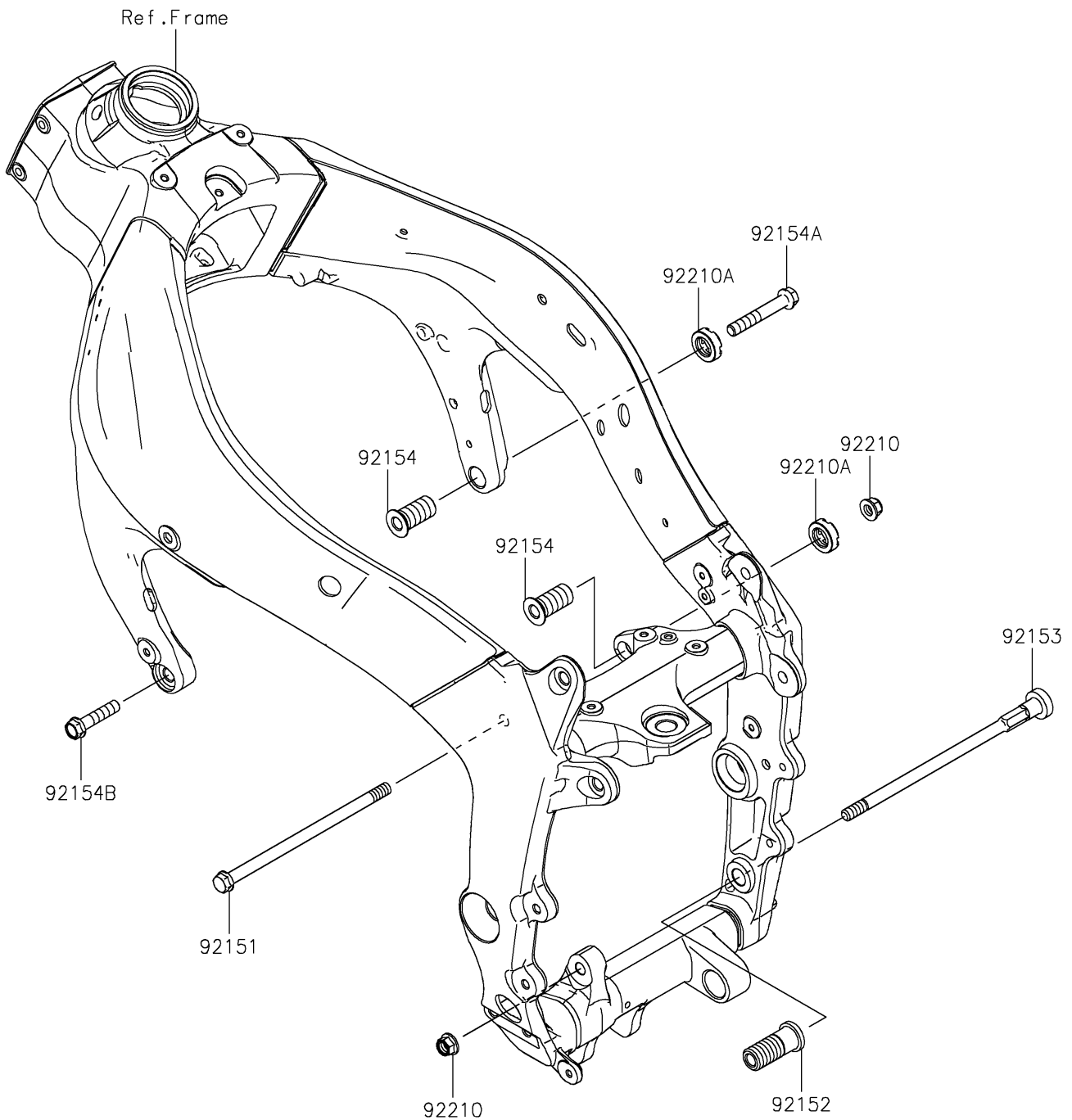


# 2024 NINJA<sup>®</sup> ZX<sup>™</sup>-6R ABS

## PARTS DIAGRAM

### Engine Mount

F2122



# 2024 NINJA<sup>®</sup> ZX<sup>™</sup>-6R ABS



## PARTS LIST

### Engine Mount

ITEM NAME	PART NUMBER	QUANTITY
-----------	-------------	----------