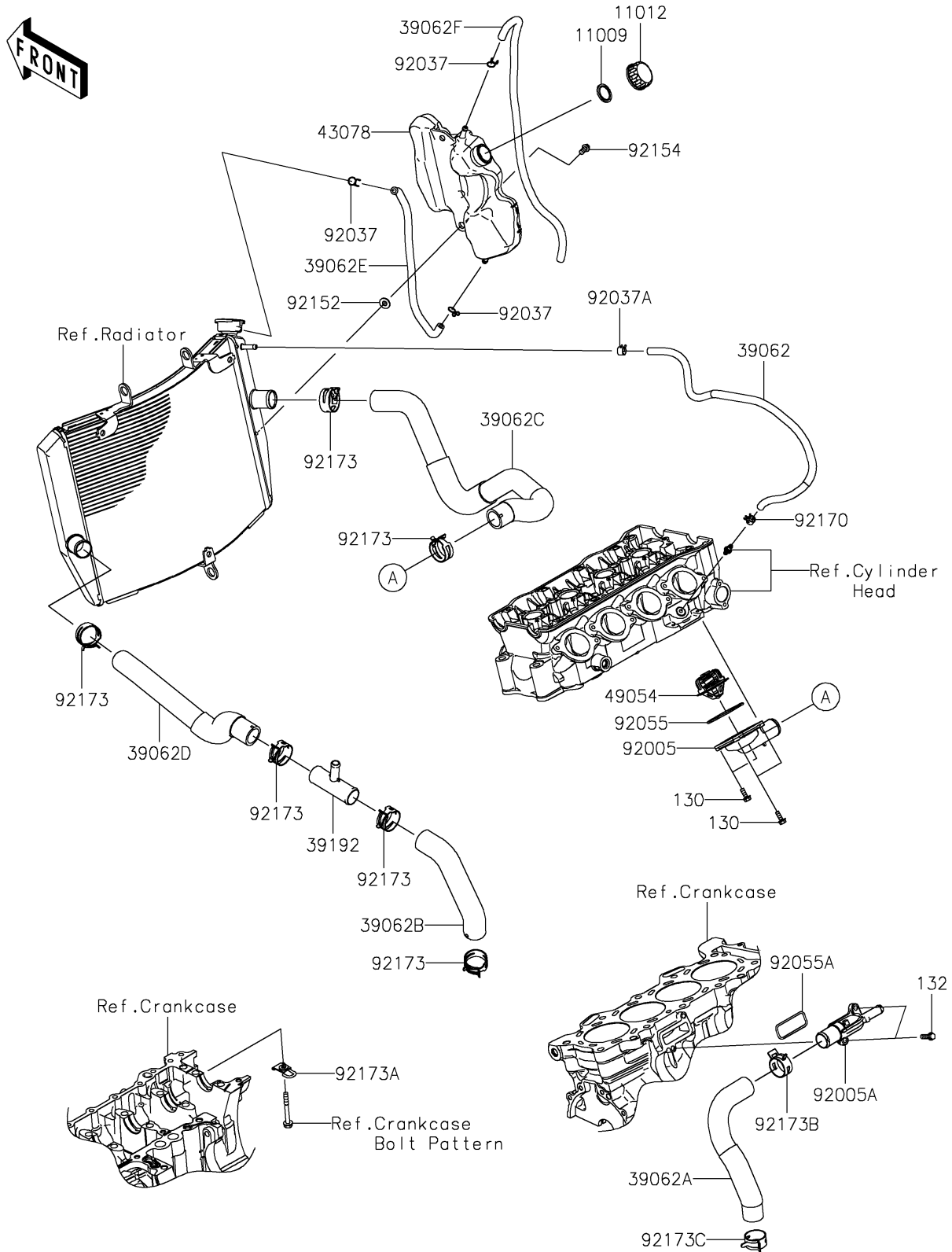


# 2024 Ninja ZX-6R ABS

## PARTS DIAGRAM

### Water Pipe

E3037



# 2024 Ninja ZX-6R ABS

## PARTS LIST

Water Pipe

**ITEM NAME**

**PART NUMBER**

**QUANTITY**

---