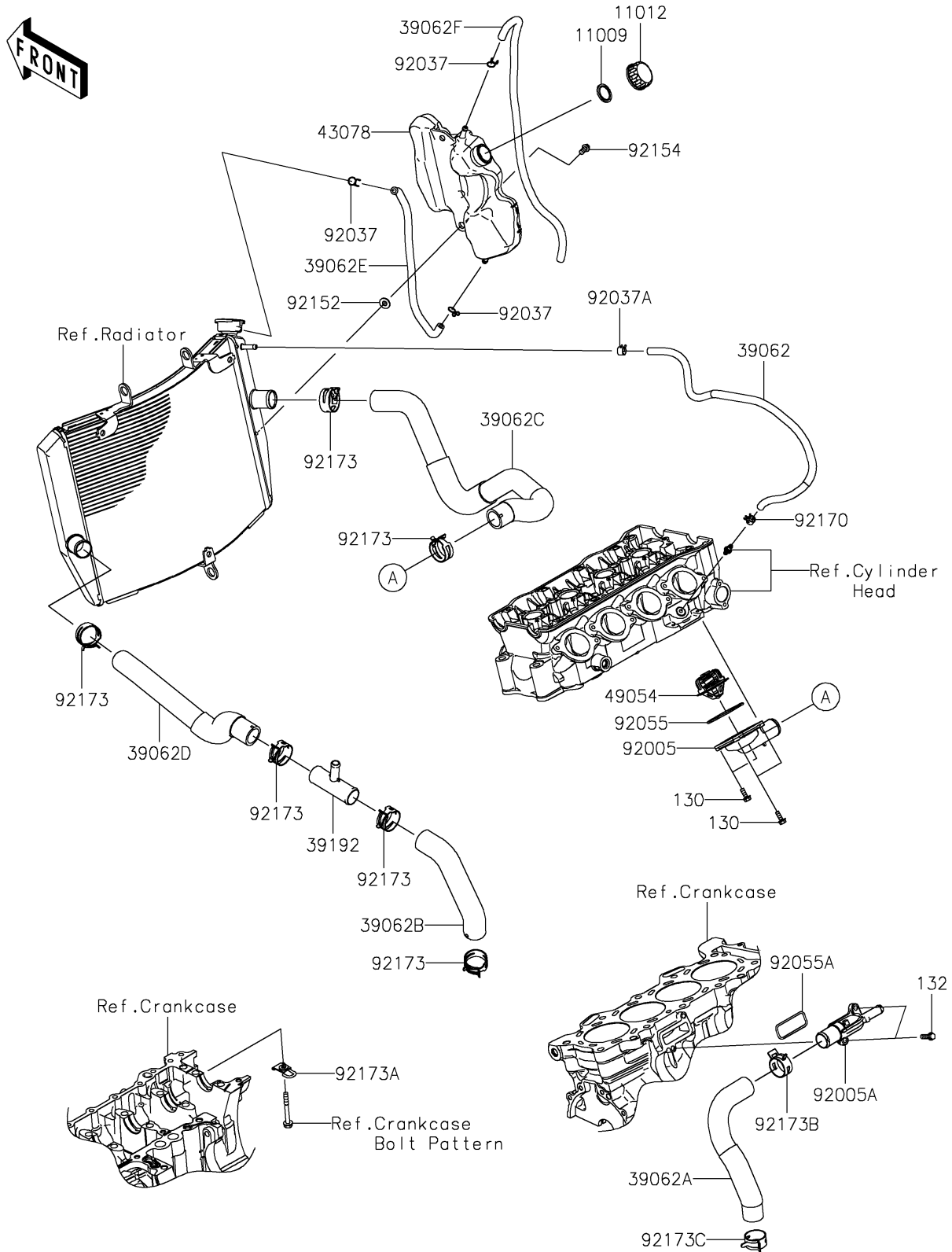


# 2024 NINJA® ZX™-6R 40th ANNIVERSARY EDITION ABS

## PARTS DIAGRAM

### Water Pipe

E3037



# 2024 NINJA® ZX™-6R 40th ANNIVERSARY EDITION ABS



## PARTS LIST

### Water Pipe

ITEM NAME	PART NUMBER	QUANTITY
-----------	-------------	----------

---