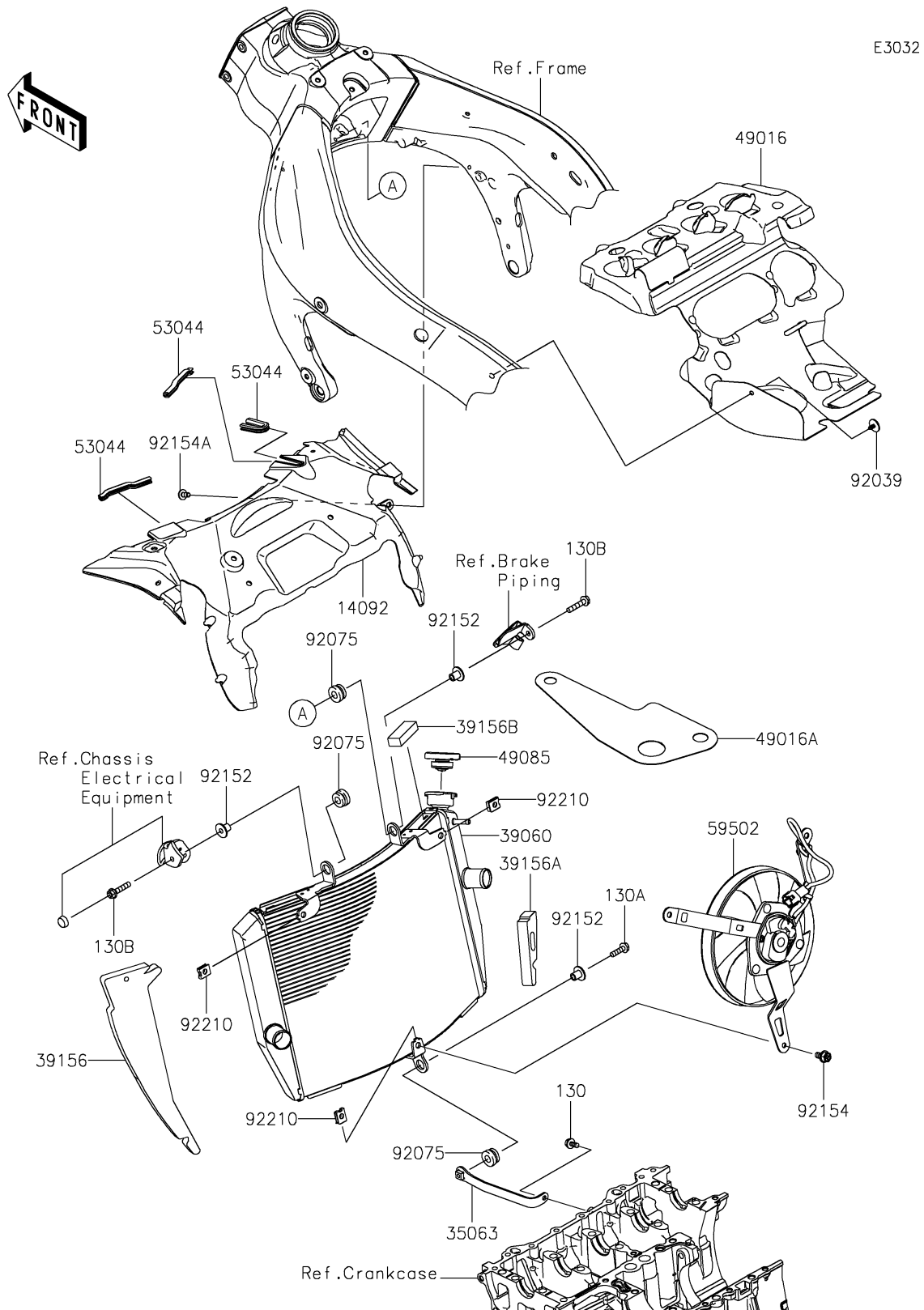


# 2024 Ninja® ZX-6R ABS

## PARTS DIAGRAM

### Radiator



# 2024 Ninja® ZX-6R ABS

## PARTS LIST

### Radiator

**ITEM NAME**

**PART NUMBER**

**QUANTITY**

---