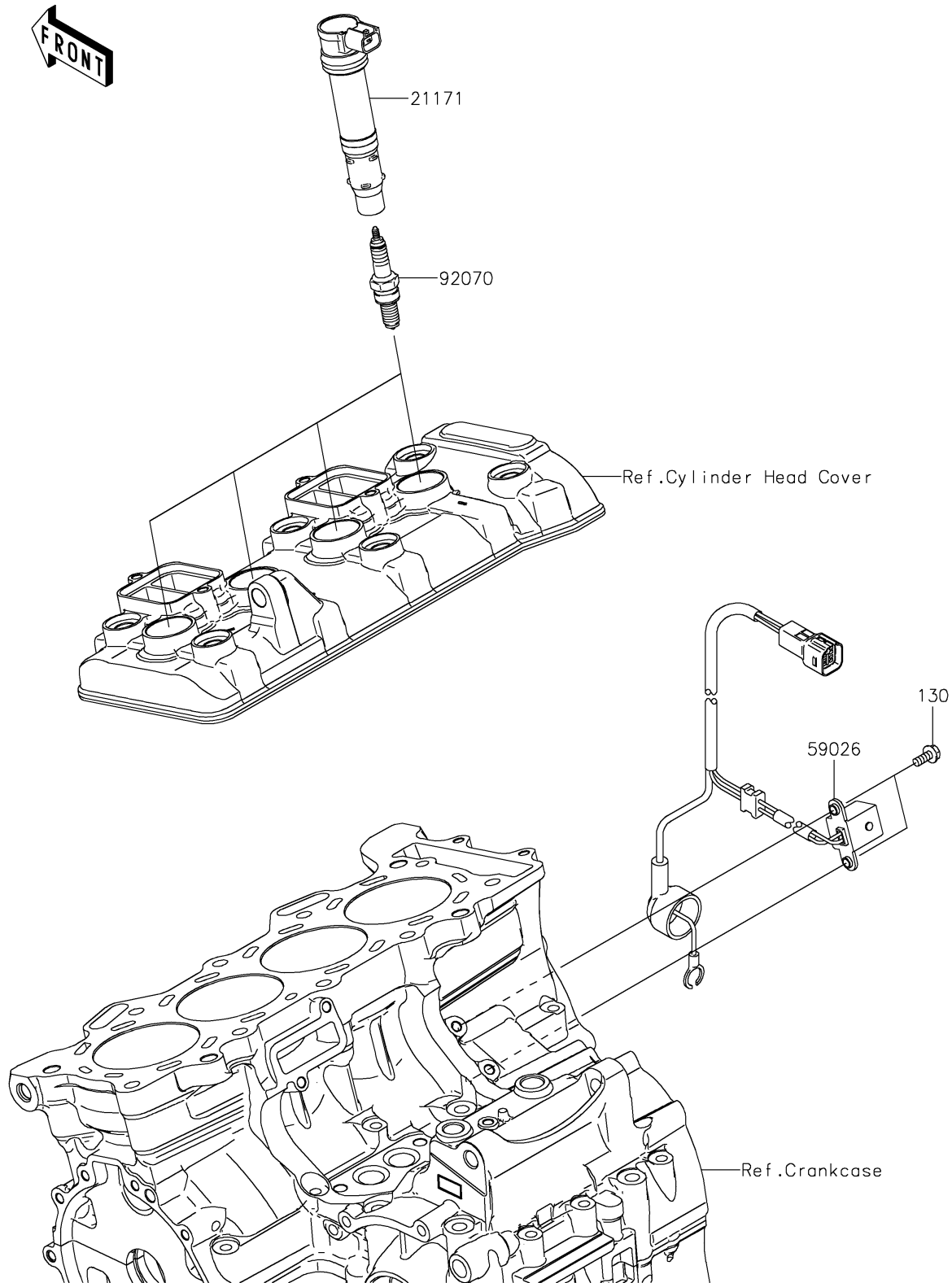


PARTS DIAGRAM Ignition System

E1830



2024 NINJA® ZX™-6R 40th ANNIVERSARY EDITION ABS



PARTS LIST Ignition System

ITEM NAME	PART NUMBER	QUANTITY
-----------	-------------	----------