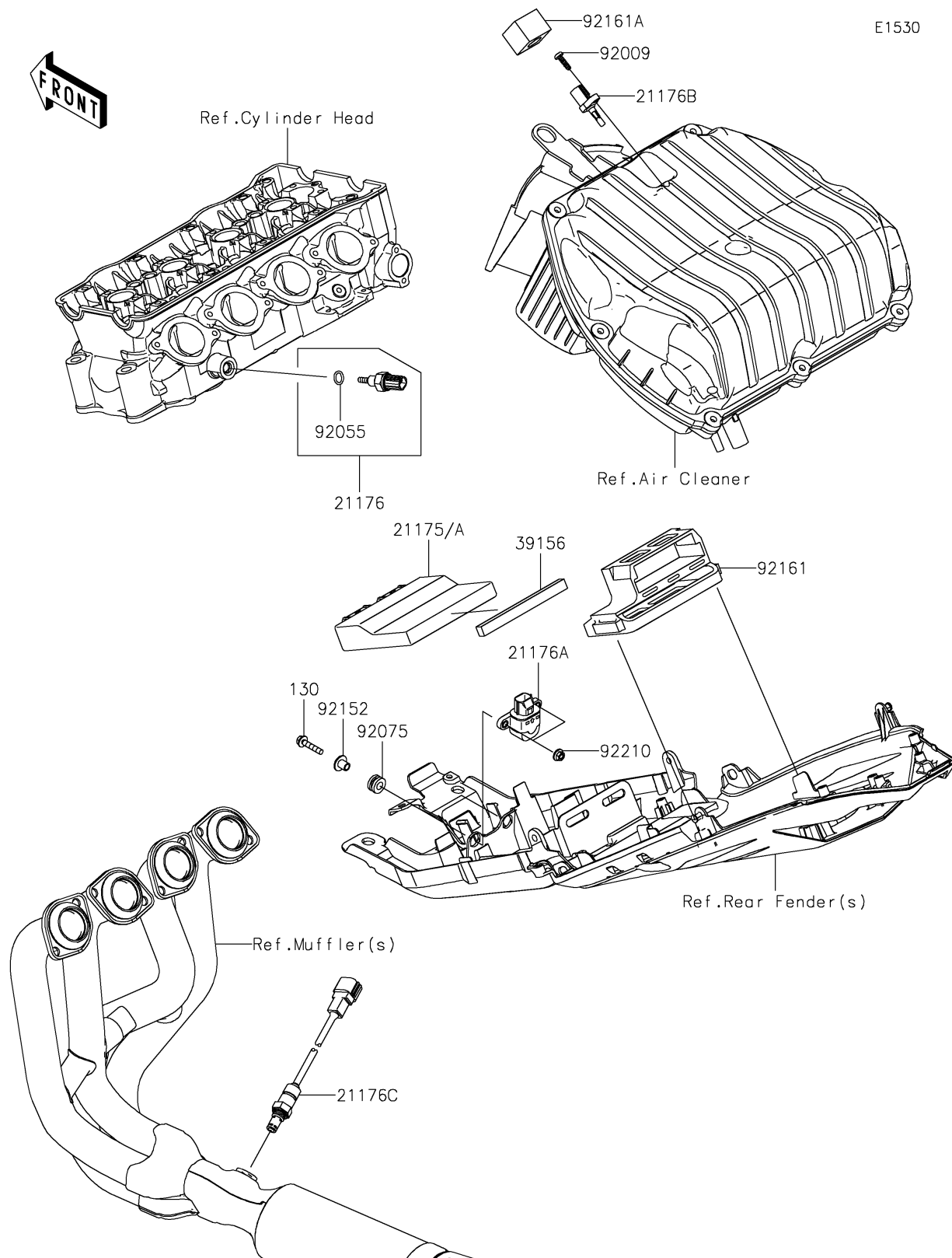


# 2024 NINJA® ZX™-6R 40th ANNIVERSARY EDITION ABS

## PARTS DIAGRAM Fuel Injection



# 2024 NINJA® ZX™-6R 40th ANNIVERSARY EDITION ABS



## PARTS LIST Fuel Injection

ITEM NAME	PART NUMBER	QUANTITY
-----------	-------------	----------

---