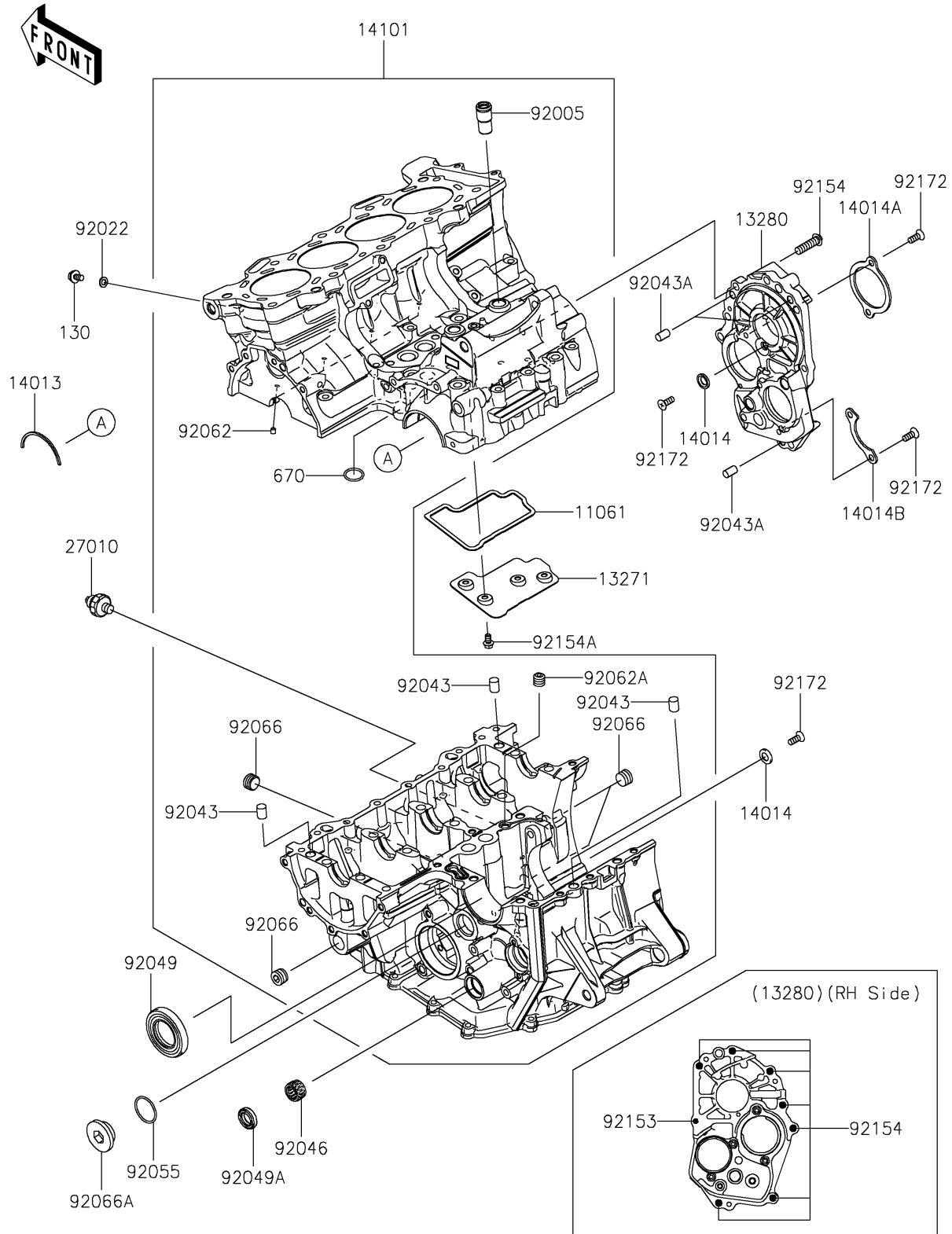


2024 Ninja® ZX-6R ABS

PARTS DIAGRAM

Crankcase

E1411



2024 Ninja® ZX-6R ABS

PARTS LIST

Crankcase

ITEM NAME

PART NUMBER

QUANTITY
