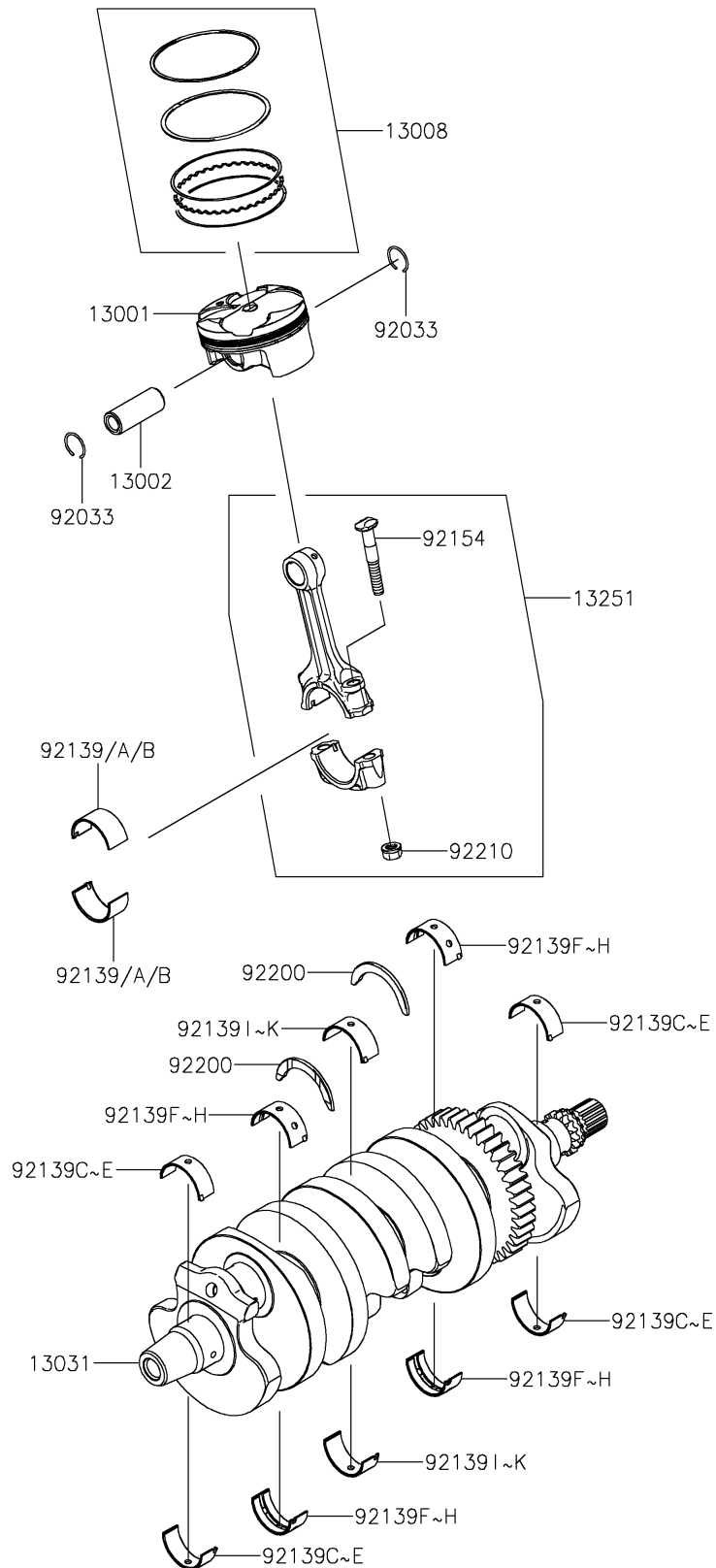


# 2024 NINJA® ZX™-6R ABS

## PARTS DIAGRAM Crankshaft/Piston(s)

E1320



# 2024 NINJA<sup>®</sup> ZX<sup>™</sup>-6R ABS

## PARTS LIST

### Crankshaft/Piston(s)

ITEM NAME	PART NUMBER	QUANTITY
-----------	-------------	----------

---