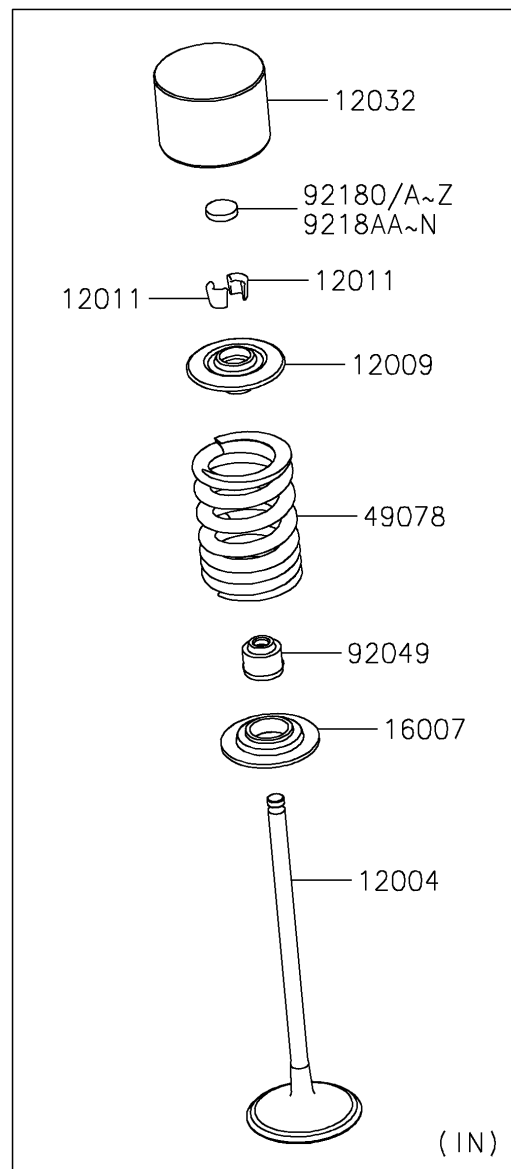
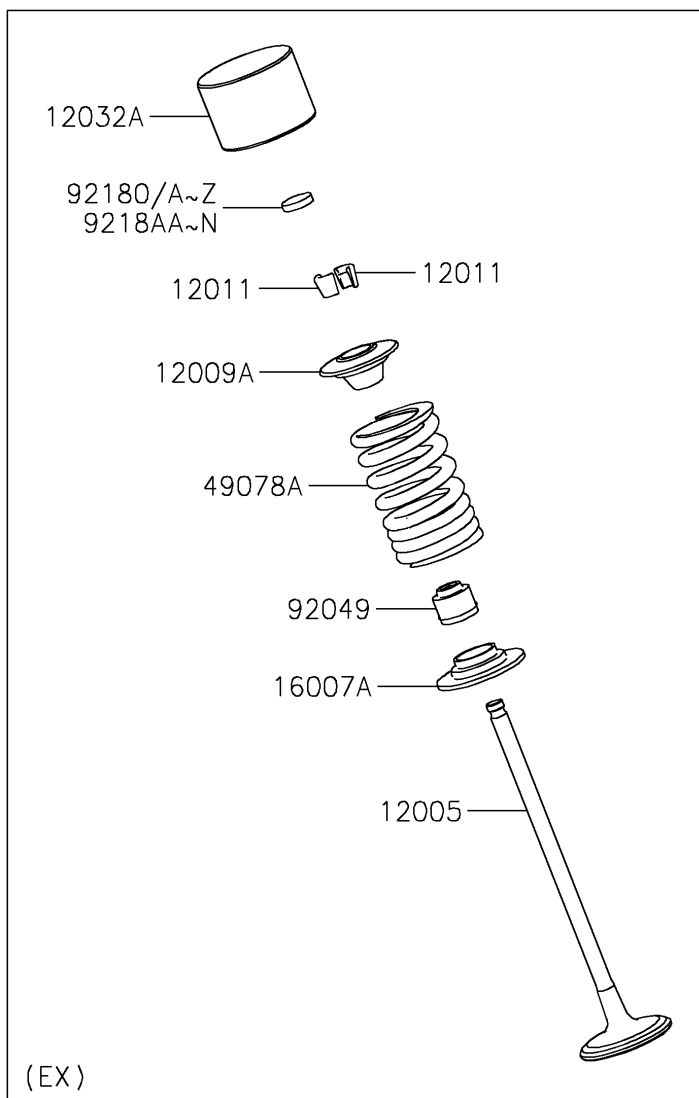


PARTS DIAGRAM

Valve(s)

E1210



2024 NINJA® ZX™-6R 40th ANNIVERSARY EDITION ABS



PARTS LIST

Valve(s)

ITEM NAME	PART NUMBER	QUANTITY
-----------	-------------	----------
