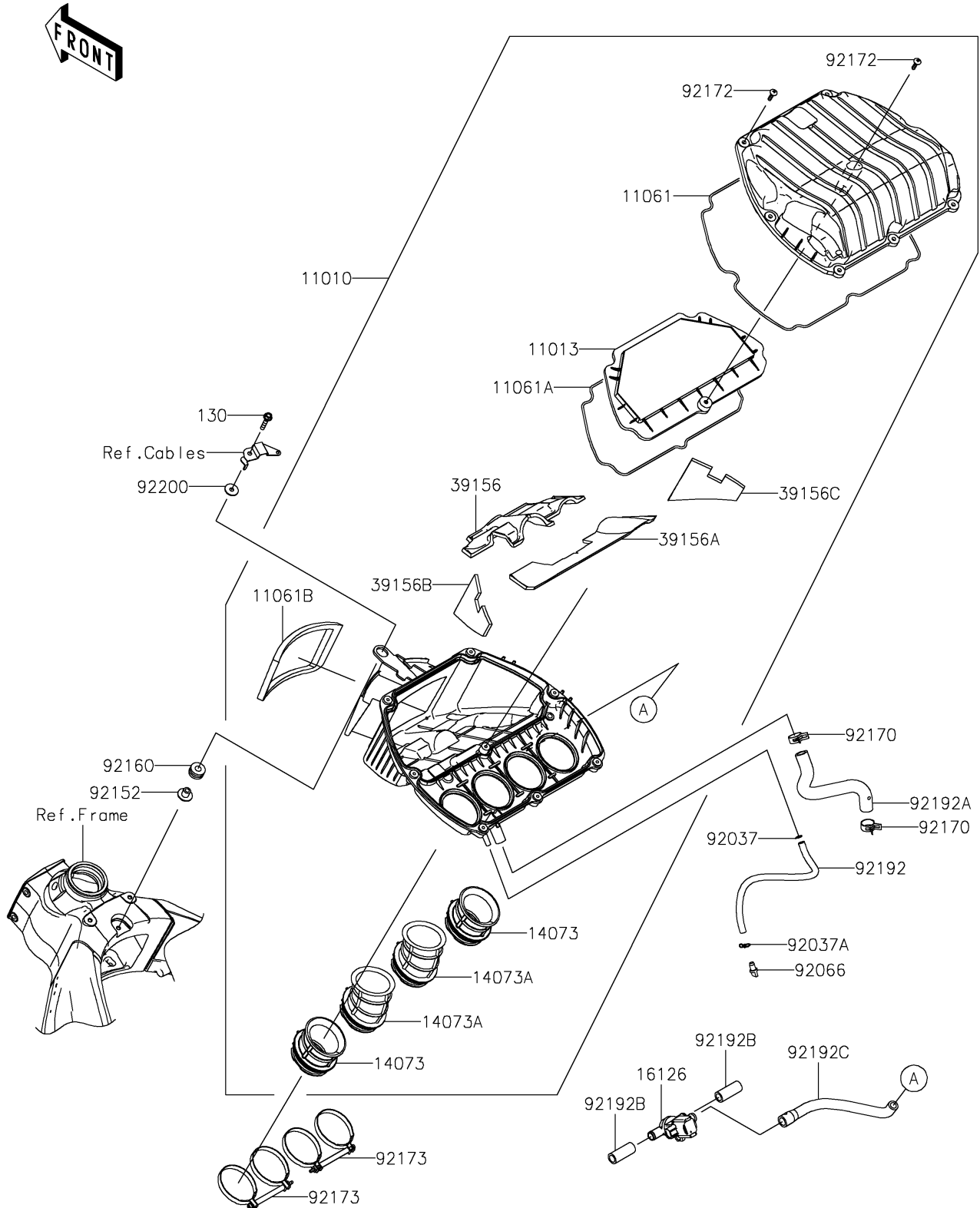


# 2024 Ninja ZX-6R ABS

## PARTS DIAGRAM

### Air Cleaner

E1130



# 2024 Ninja ZX-6R ABS

## PARTS LIST

### Air Cleaner



ITEM NAME	PART NUMBER	QUANTITY
-----------	-------------	----------

---