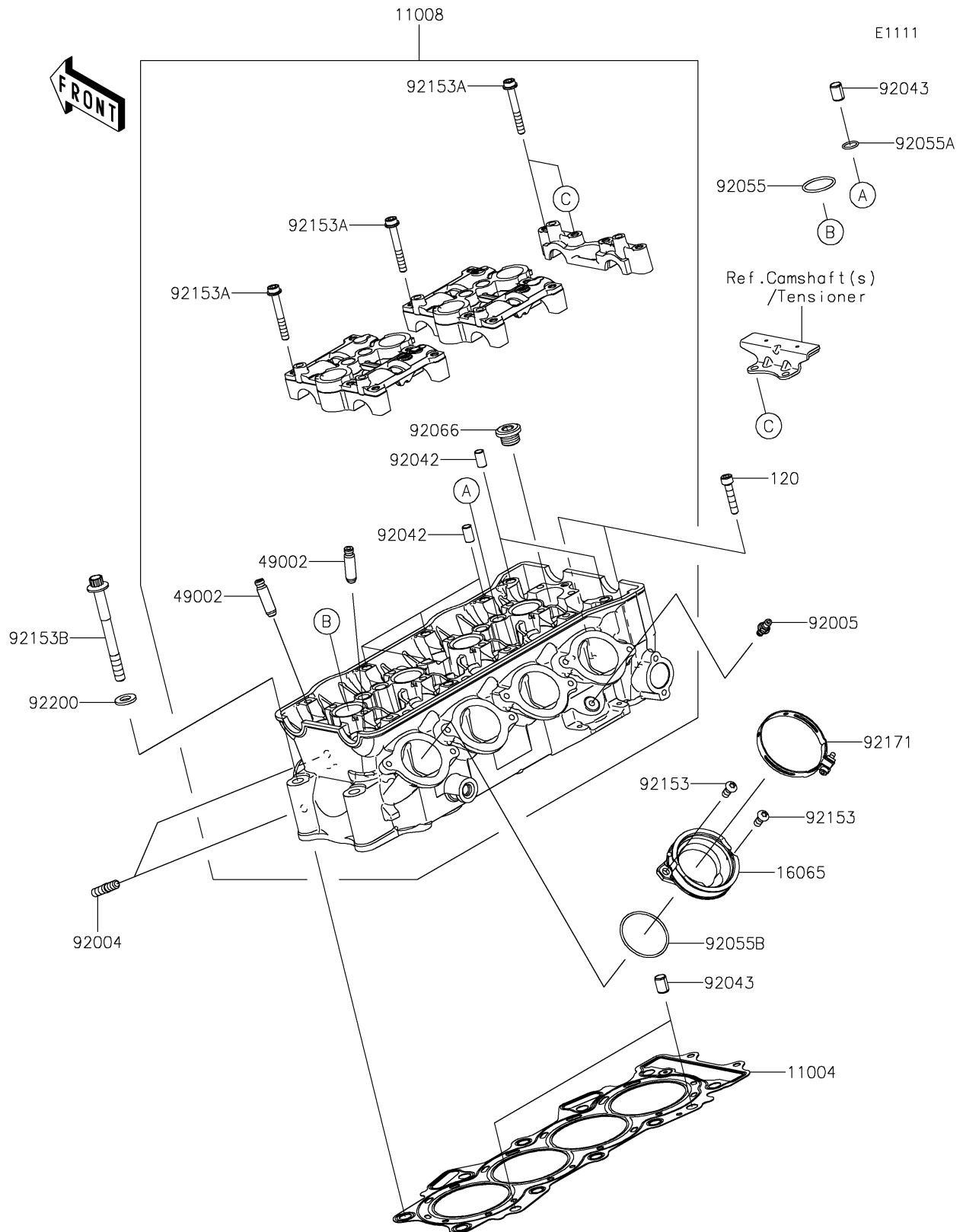


# 2024 Ninja ZX-6R ABS

## PARTS DIAGRAM

### Cylinder Head



# 2024 Ninja ZX-6R ABS

## PARTS LIST

### Cylinder Head



ITEM NAME	PART NUMBER	QUANTITY
-----------	-------------	----------

---