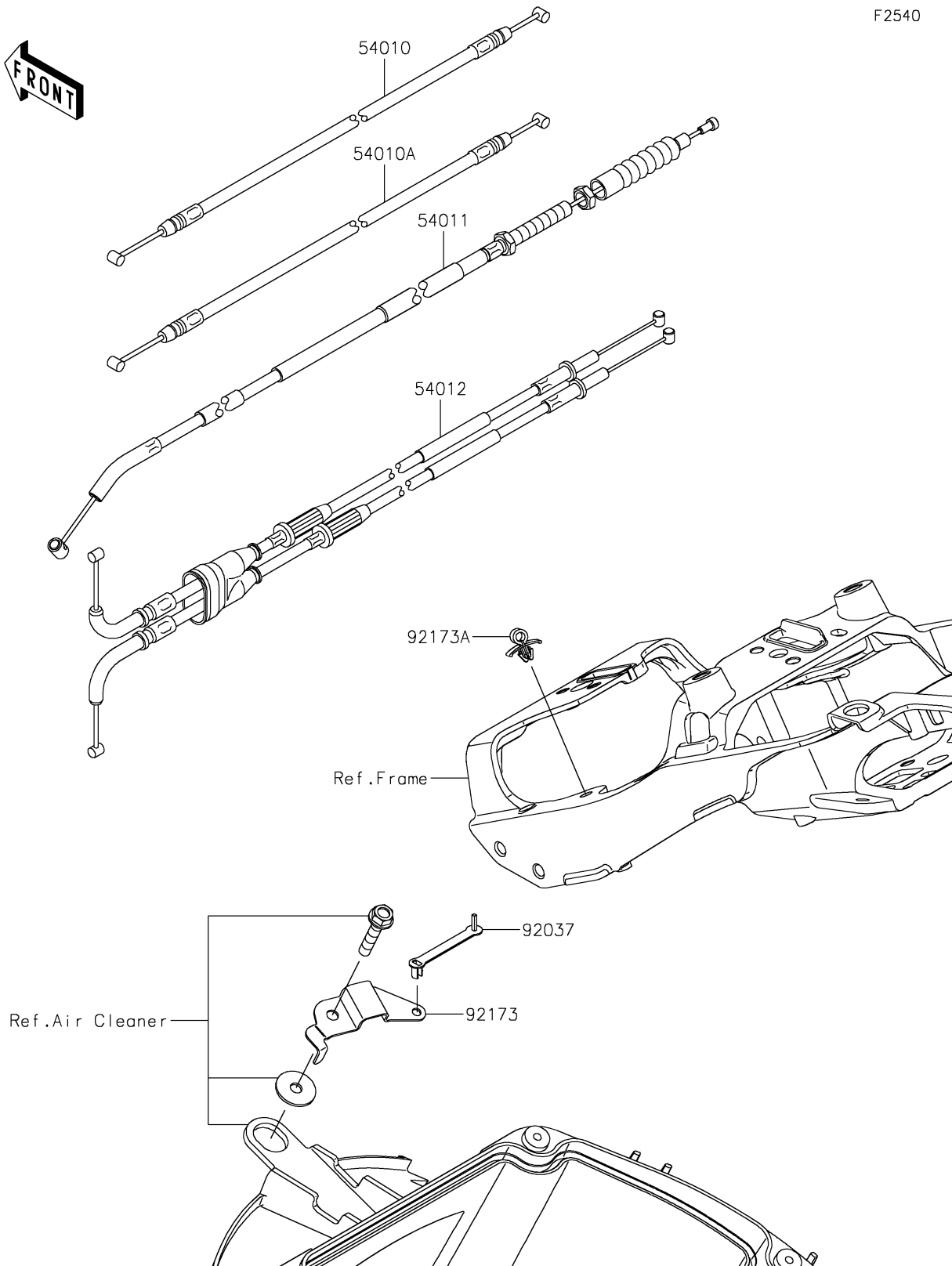


2023 NINJA® ZX™-6R KRT EDITION

PARTS DIAGRAM

Cables

F2540



2023 NINJA[®] ZX[™]-6R KRT EDITION



PARTS LIST

Cables

ITEM NAME	PART NUMBER	QUANTITY
-----------	-------------	----------
