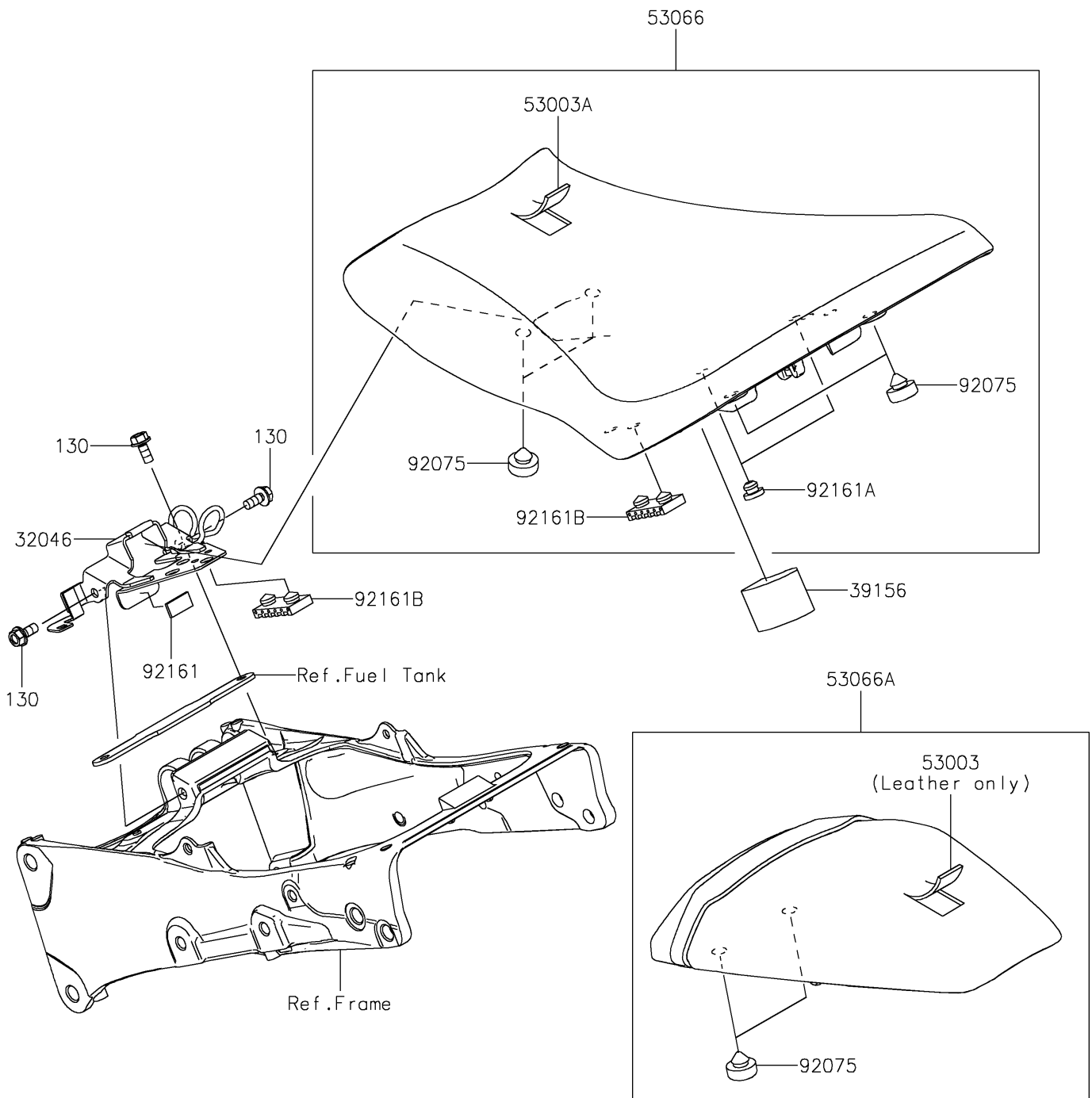


# 2023 NINJA<sup>®</sup> ZX<sup>™</sup>-6R KRT EDITION

## PARTS DIAGRAM

### Seat

F2510



# 2023 NINJA<sup>®</sup> ZX<sup>™</sup>-6R KRT EDITION



## PARTS LIST

Seat

ITEM NAME	PART NUMBER	QUANTITY
-----------	-------------	----------

---