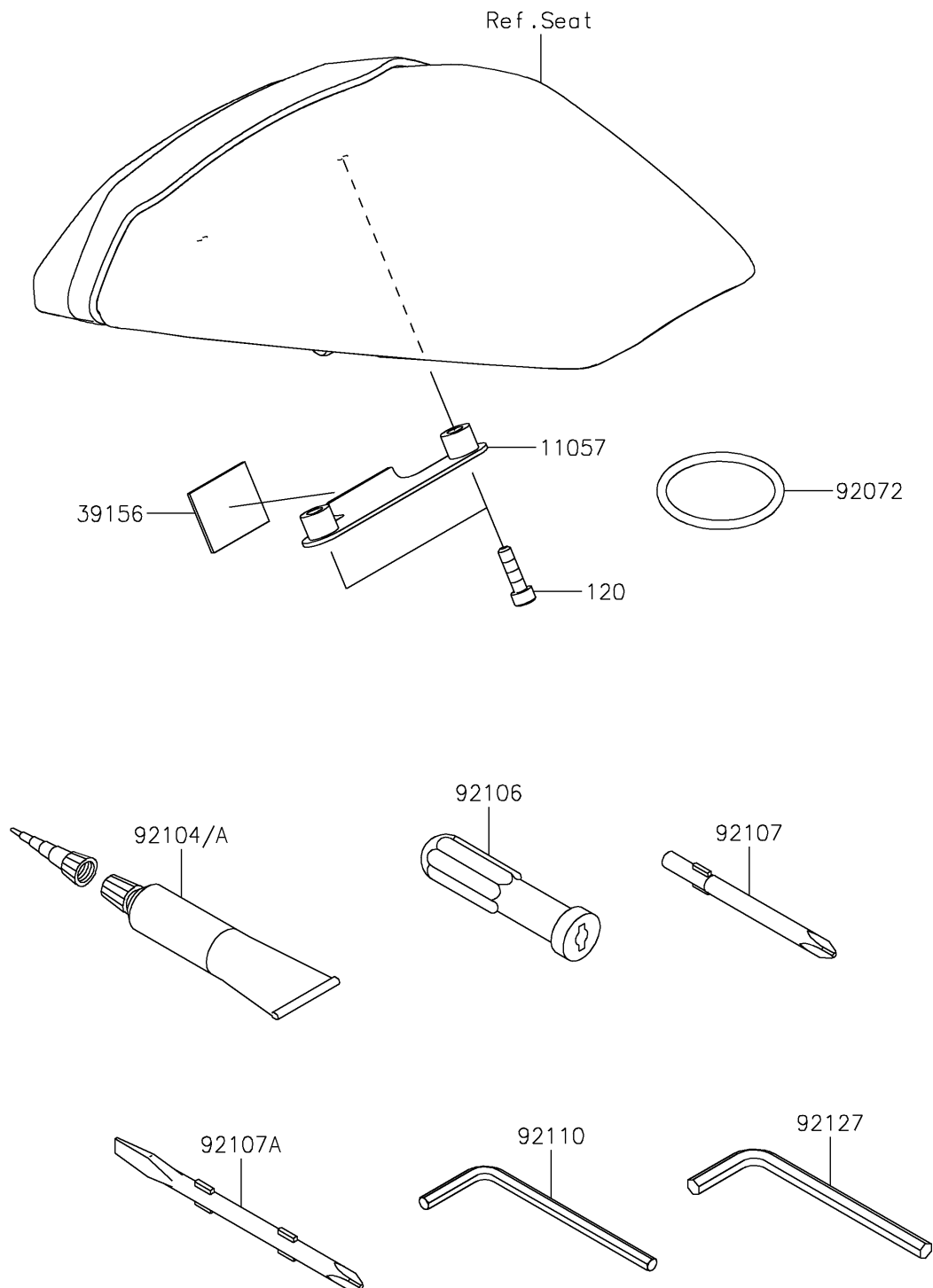


# 2022 Ninja ZX-6R KRT Edition

## PARTS DIAGRAM

### Owner's Tools

F2810



# 2022 Ninja ZX-6R KRT Edition

## PARTS LIST

### Owner's Tools

**ITEM NAME**

**PART NUMBER**

**QUANTITY**

---