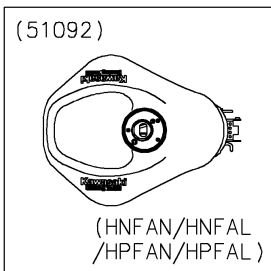
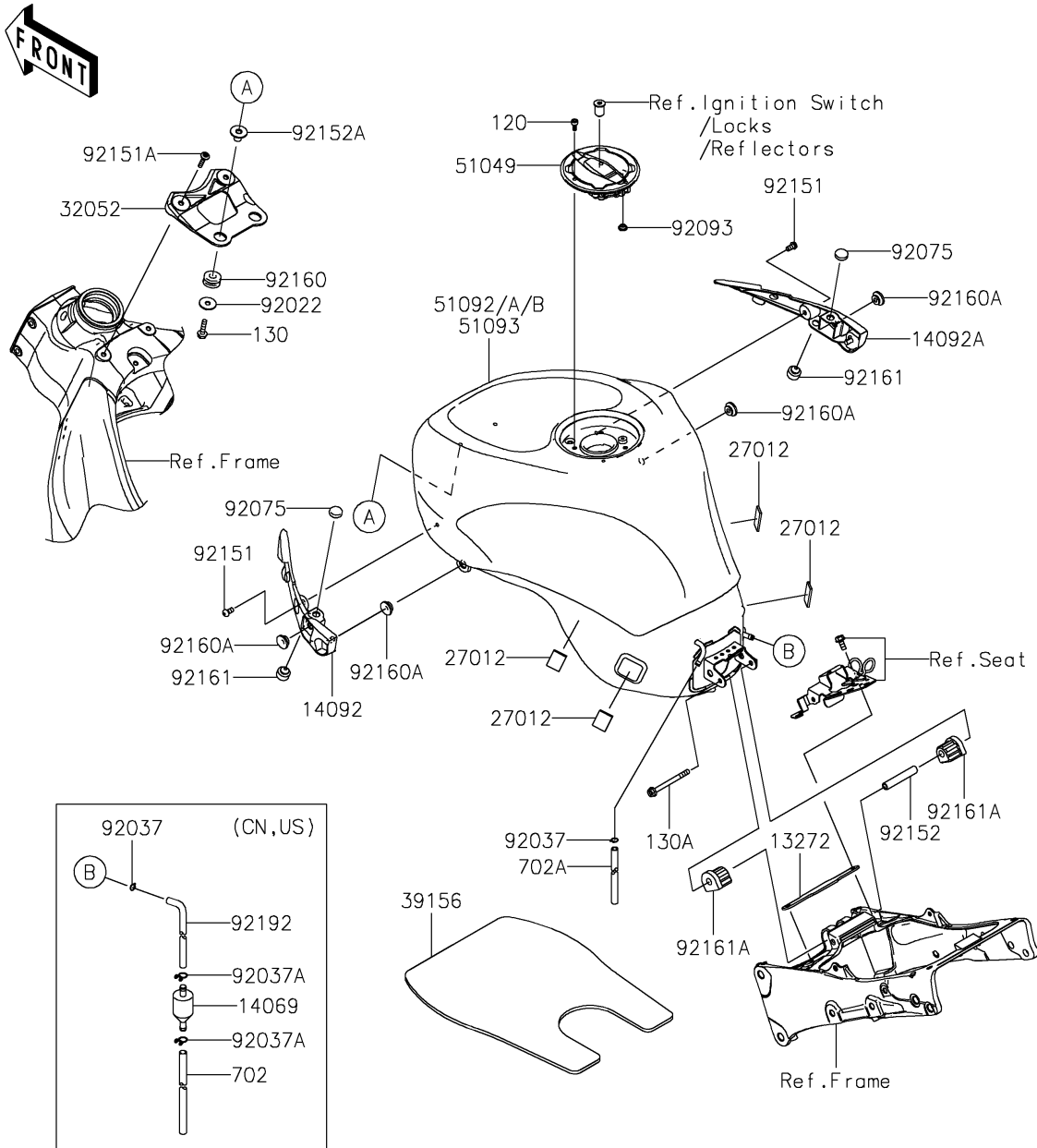


# 2023 NINJA® ZX™-6R

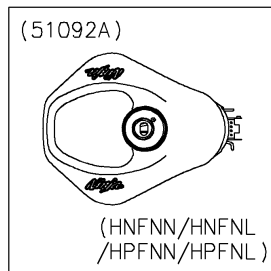
## PARTS DIAGRAM

### Fuel Tank

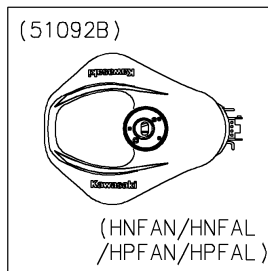
F2410



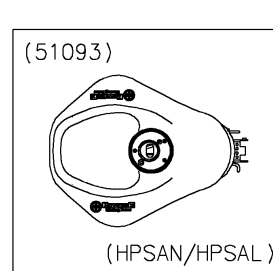
WD



WD



WD



WD

# 2023 NINJA<sup>®</sup> ZX<sup>™</sup>-6R

## PARTS LIST

### Fuel Tank

**ITEM NAME**

**PART NUMBER**

**QUANTITY**

---