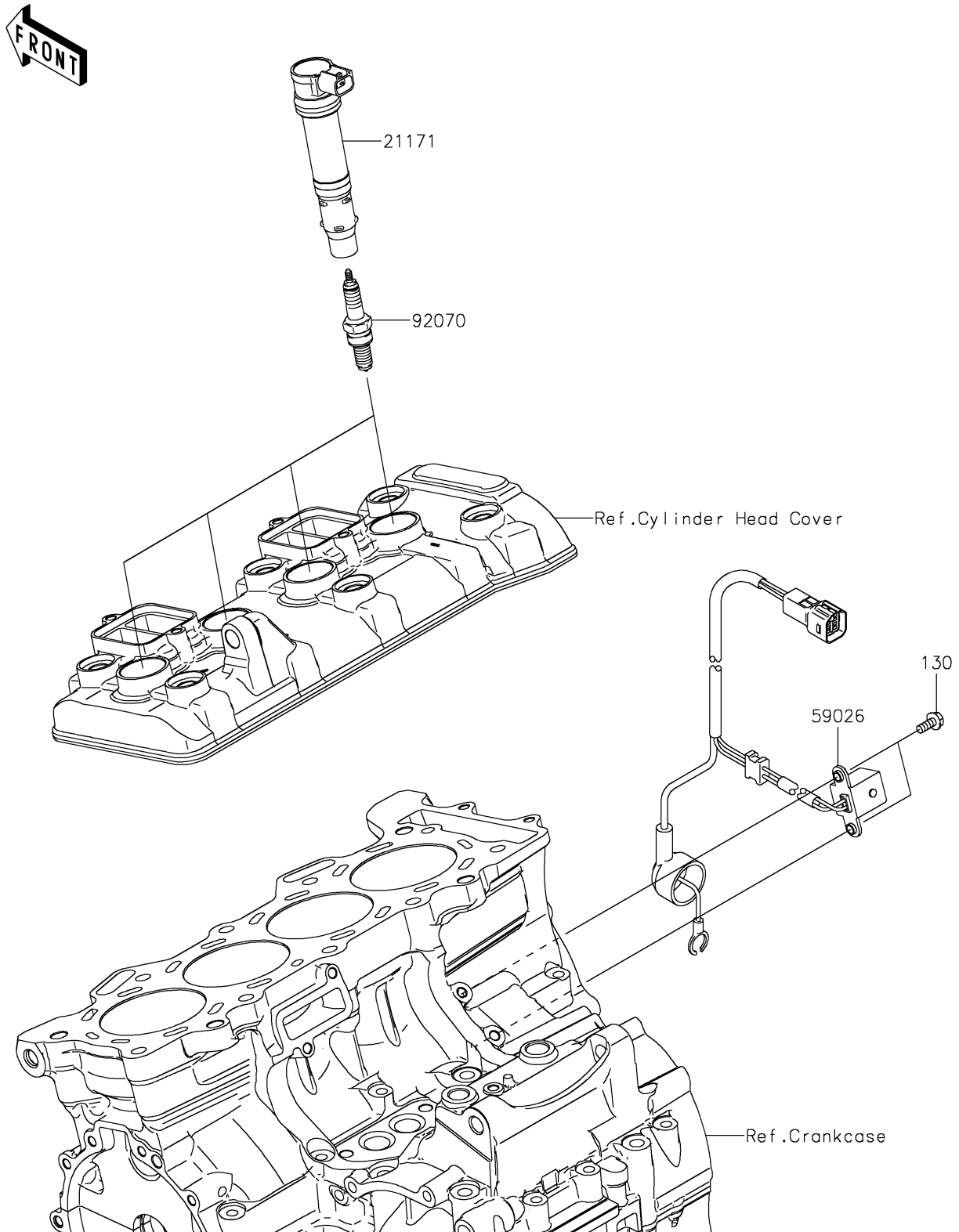


# 2023 NINJA<sup>®</sup> ZX<sup>™</sup>-6R

## PARTS DIAGRAM

### Ignition System

E1830



# 2023 NINJA<sup>®</sup> ZX<sup>™</sup>-6R

## PARTS LIST

### Ignition System

**ITEM NAME**

**PART NUMBER**

**QUANTITY**

---