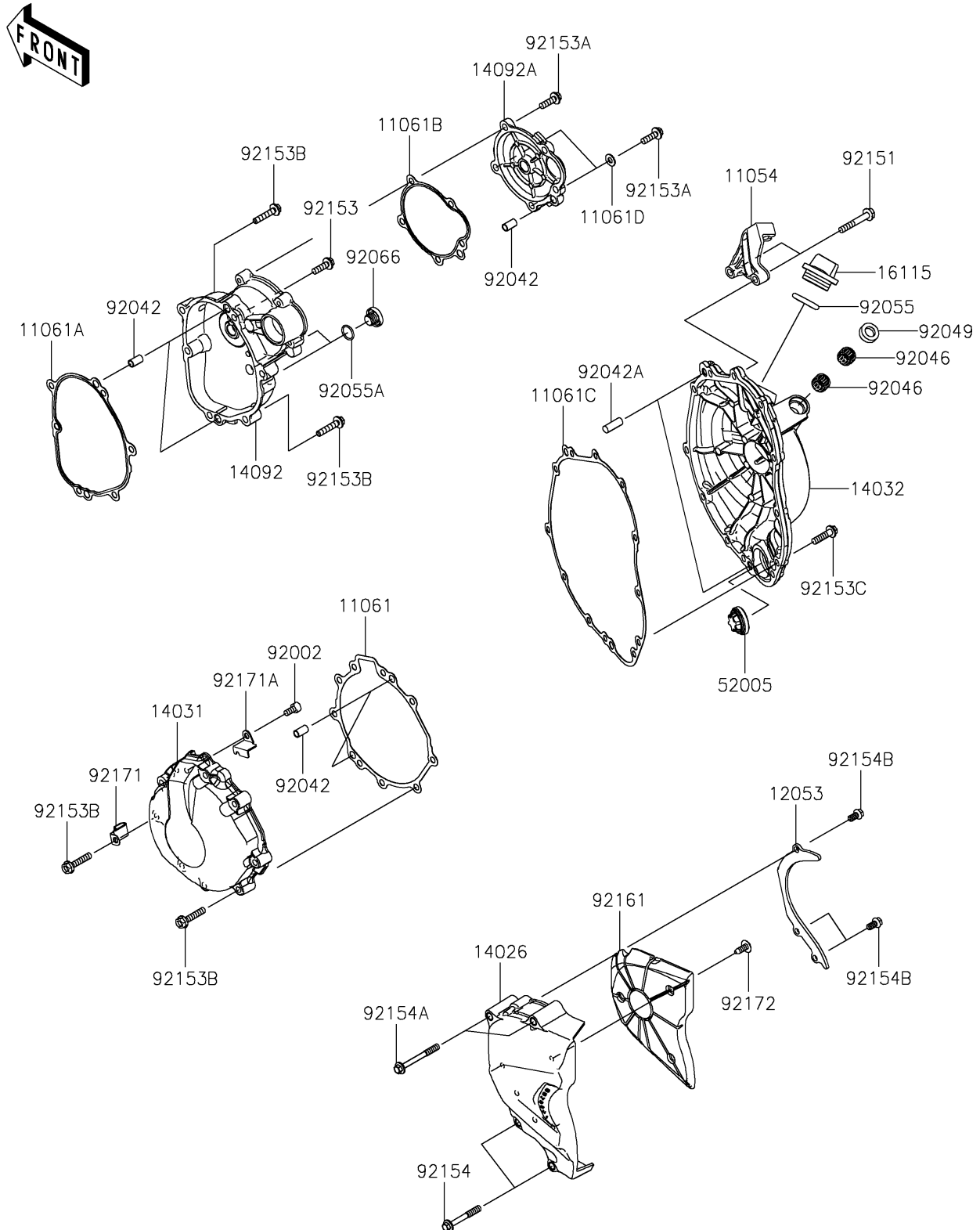


# 2023 NINJA® ZX™-6R

## PARTS DIAGRAM

### Engine Cover(s)

E1431



# 2023 NINJA<sup>®</sup> ZX<sup>™</sup>-6R

## PARTS LIST

### Engine Cover(s)

ITEM NAME	PART NUMBER	QUANTITY
-----------	-------------	----------

---